



Accessories

Silvent's adjustable swivel joints allow easy setting of the optimal blowing angle, providing a lower sound level and greater efficiency.

Products

- 5.2 Adjustable swivel joints
- 5.2 Universal ball joint
- 5.3 Ball valves
- 5.3 Mounting brackets
- 5.4 Self-coiling hoses
- 5.5 High-flow regulators

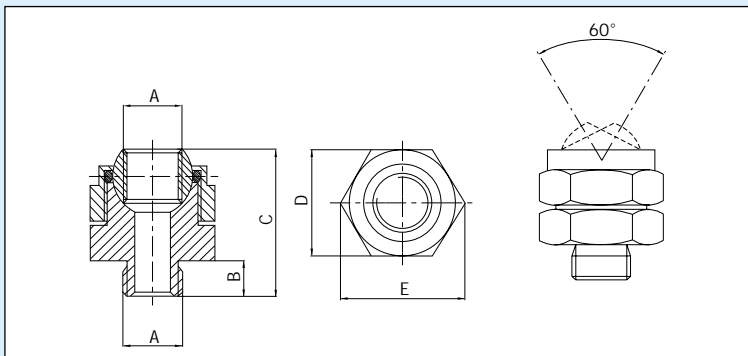


ADJUSTABLE SWIVEL JOINTS



An adjustable swivel joint for setting the direction of the air cone. The joint enables easy fine tuning of the blowing angle without affecting other fixed equipment. Correct adjustment of the blowing angle results in a lower noise level and increased efficiency.

DIMENSIONS



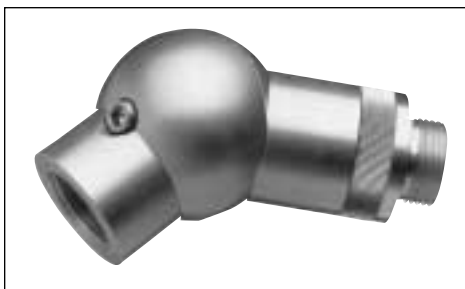
Additional sizes and materials available upon request.

Max. operating pressure: 1.0 MPa (143 psi)

PRODUCT INFORMATION

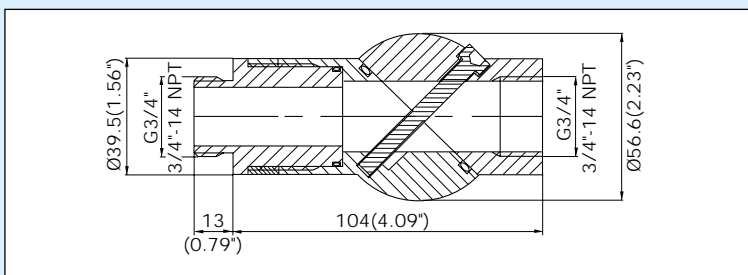
ORDER NO./ MODEL		PSK 18	PSK 14
A Connection	BSP	1/8"	1/4"
	NPT	1/8"-27	1/4"-18
B	mm	8	8
	"	0.31	0.31
C	mm	31	33
	"	1.22	1.30
D	mm	22	24
	"	0.87	0.94
E	mm	24	27
	"	0.94	1.06
Max. temp.	°C	-20/+400	-20/+400
	°F	-4/+752	-4/+752
Weight	g	50	70
	lbs	0.11	0.15
Material	Stainless steel		

UNIVERSAL BALL JOINT



An adjustable joint for the 400, 1100, and 1200 series. Since the joint permits adjustment to any angle, fixed installations can be set at the most efficient blowing angle. The desired position can then be locked with an Allen set screw. 3/4" connection.

DIMENSIONS

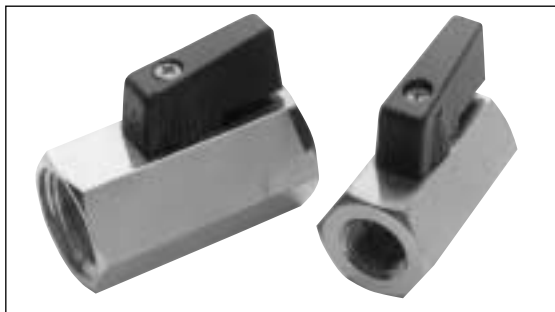


Max. operating pressure: 1.0 MPa (143 psi).

PRODUCT INFORMATION

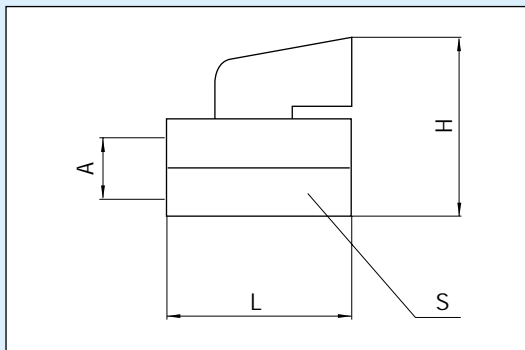
ORDER NO./ MODEL		UBJ
Connection	BSP	3/4"
	NPT	3/4"-14
Max. temp	°C	150
	°F	305
Weight	g	335
	lbs	0.74
Material	Aluminum	

BALL VALVES



Ball valves of chrome plated brass. A ball valve allows you to fine tune the blowing force and air consumption in the air nozzle system. This guarantees both a lower noise level and lower energy consumption. The valve is available in 5 sizes. Seals of Teflon and nitrile rubber.

DIMENSIONS



Max. operating pressure: 18.0 MPa (2610 psi).

PRODUCT INFORMATION

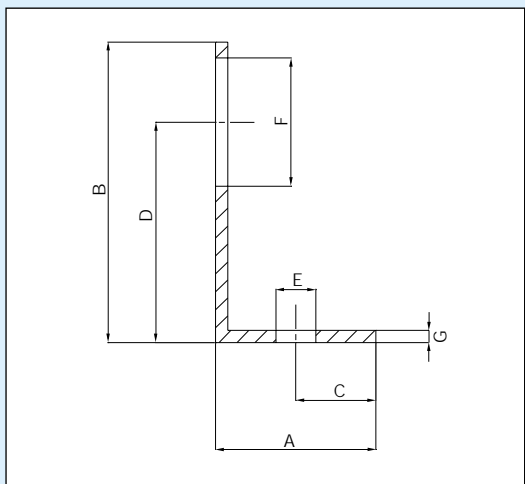
ORDER NO./ MODEL		Kv 18	Kv 14	Kv 38	Kv 12	Kv 34
A Connection	BSP	1/8"	1/4"	3/8"	1/2"	3/4"
	NPT	1/8"-27	1/4"-18	3/8"-18	1/2"-14	3/4"-14
L	mm	39	39	42	47	54
	"	1.54	1.54	1.65	1.85	2.13
H	mm	37	37	37	41	46
	"	1.46	1.46	1.46	1.61	1.81
S	mm	21	21	21	25	30
	"	0.83	0.83	0.83	0.98	1.18
Max. temp.	°C	-40/+200	-40/+200	-40/+200	-40/+200	-40/+200
	°F	-41/+396	-41/+396	-41/+396	-41/+396	-41/+396
Weight	g	90	90	90	125	180
	lbs	0.20	0.20	0.20	0.28	0.40
Material	Brass, Teflon, Nitrile rubber, ABS plastic					

MOUNTING BRACKETS



Mounting brackets for aluminum manifolds. Used with SILVENT's air knives and air curtains. The brackets are mounted at both ends of the manifold and squeezed between the plug and the outer wall of the manifold.

DIMENSIONS



PRODUCT INFORMATION

ORDER NO./ MODEL		3302	3372	3382
A	mm	25	70	70
	"	0.98	2.76	2.76
B	mm	45	75	75
	"	1.77	2.95	2.95
C	mm	10	20	20
	"	0.39	0.79	0.79
D	mm	35	55	55
	"	1.38	2.17	2.17
ØE	mm	8.5	10.5	10.5
	"	0.33	0.41	0.41
ØF	mm	17	27	34
	"	0.67	1.06	1.34
G	mm	2	3	3
	"	0.079	0.12	0.12
Material	Stainless steel			

SELF-COILING SPIRAL HOSE



SILVENT's range of self-coiling spiral hoses offers three different models suitable for a variety of applications. All of our hoses have been pressure drop tested and are recommended for use together with SILVENT's air nozzles.

NYLON



Polyamide spiral hoses with nickel-plated brass swivel fittings. A low-cost alternative suitable for most applications. A somewhat stiffer hose with a non-absorbent surface.

Oil, gasoline, grease, and abrasion resistant.

POLYURETHANE



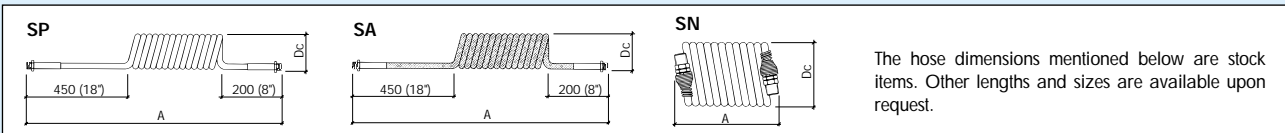
Spiral hoses of polyurethane. These hoses are fitted with specially designed swivel couplings for the least possible pressure loss. A flexible hose with a small coil diameter. Capable of handling demanding applications. Always resumes its original form without kinking. A model whose advantages are being discovered by more and more users.

REINFORCED POLYURETHANE



Reinforced spiral hoses of polyurethane with extremely high flexibility and a tight coil diameter. Has all the advantages of polyurethane hose, plus a little more. An exclusive hose for applications involving continuous use and demands for extreme flexibility. Capable of handling higher operating pressures than ordinary polyurethane hose.

DIMENSIONS

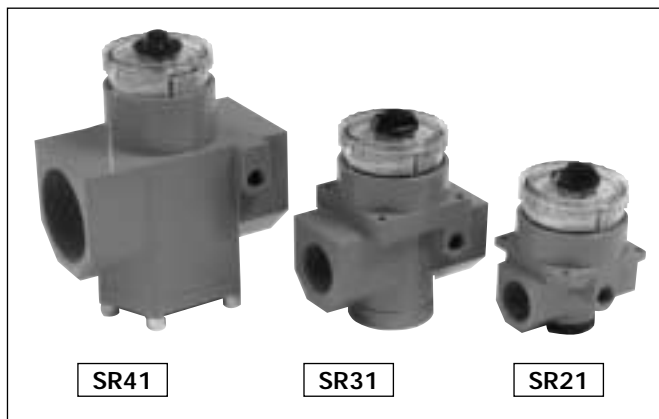


The hose dimensions mentioned below are stock items. Other lengths and sizes are available upon request.

PRODUCT INFORMATION

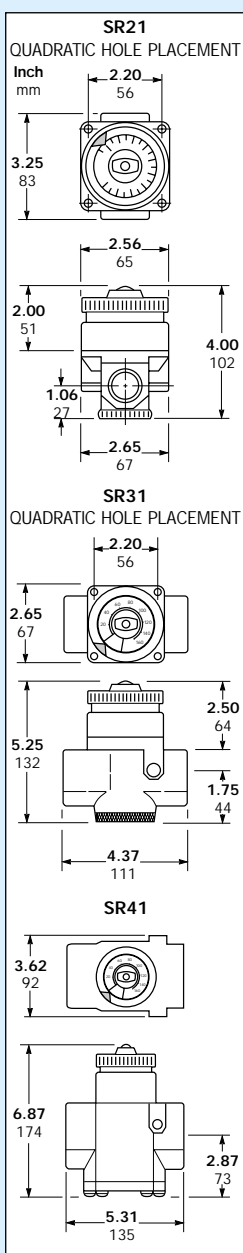
ORDER NO.		SP-10-030	SP-10-060	SP-15-030	SP-15-060	SA-10-030	SA-10-060	SN-08-030	SN-08-050	SN-16-050
Material		Polyurethane	Polyurethane	Polyurethane	Polyurethane	Reinforced polyurethane	Reinforced polyurethane	Polyamide11 (Nylon 11)	Polyamide11 (Nylon 11)	Polyamide11 (Nylon 11)
Hose dimensions in. Ø x out. Ø	mm	6.3 x 9.5	6.3 x 9.5	9.5 x 15.0	9.5 x 15.0	6.3 x 9.5	6.3 x 9.5	6.0 x 8.0	6.0 x 8.0	13.0 x 16.0
	inch	1/4 x 3/8	1/4 x 3/8	3/8 x 19/32	3/8 x 19/32	1/4 x 3/8	1/4 x 3/8	15/64 x 5/16	15/64 x 5/16	33/64 x 5/8
Total length	m	3.0	6.0	3.0	6.0	3.0	6.0	4.4	6.25	6.25
	feet	10	20	10	20	10	20	14.4	20.5	20.5
Max. working length	m	2.4	4.8	2.4	4.8	2.4	4.8	3.5	5.0	5.0
	feet	8	16	8	16	8	16	11.5	16.4	16.4
Connection	BSP	1/4"	1/4"	3/8"	3/8"	1/4"	1/4"	1/4"	1/4"	1/2"
	NPT	1/4" - 18	1/4" - 18	3/8" - 18	3/8" - 18	1/4" - 18	1/4" - 18	1/4" - 18	1/4" - 18	1/2" - 14
Coil diameter Dc	mm	60	60	110	110	42	42	75	75	220
	inch	2.36	2.36	4.33	4.33	1.65	1.65	2.95	2.95	8.66
Max. temperature	°C	-40/+85	-40/+85	-40/+85	-40/+85	-40/+85	-40/+85	-40/+100	-40/+100	-40/+100
	°F	-40/+185	-40/+185	-40/+185	-40/+185	-40/+185	-40/+185	-40/+212	-40/+212	-40/+212
Max. operating pressure [at 25°C (77°F)]	kPa	800	800	800	800	1500	1500	1500	1500	1500
	psi	115	115	115	115	200	200	200	200	200
Pressure drop [at 5 bars (71.5 psi)]	%	9.5	17	15	25	9.5	17	15	20	6.5
	A	mm	800	950	850	950	900	1150	215	290
	inch	31.5	37.4	33.5	37.4	35.4	45.3	8.5	11.4	8.3

HIGH-FLOW REGULATORS



SILVENT's range of high-flow regulators provides optimum utilization of SILVENT's air nozzles. Using regulators in the SILVENT system makes it possible to attain precisely the blowing force required, thereby minimizing both the sound level and air consumption. These piston operated regulators allow extremely high flow in relation to their compact size. The transparent adjustment dial is pressure-calibrated for easy and exact setting of any secondary pressure. High relief flow capacity makes these regulators suitable for use as manual 3-way valves as well. Each regulator is provided with two gauge ports for connecting manometers or use as additional secondary air outlets. See the product information below for information on the maximum number of SILVENT nozzles the different regulators are capable of handling in various system arrangements.

DIMENSIONS

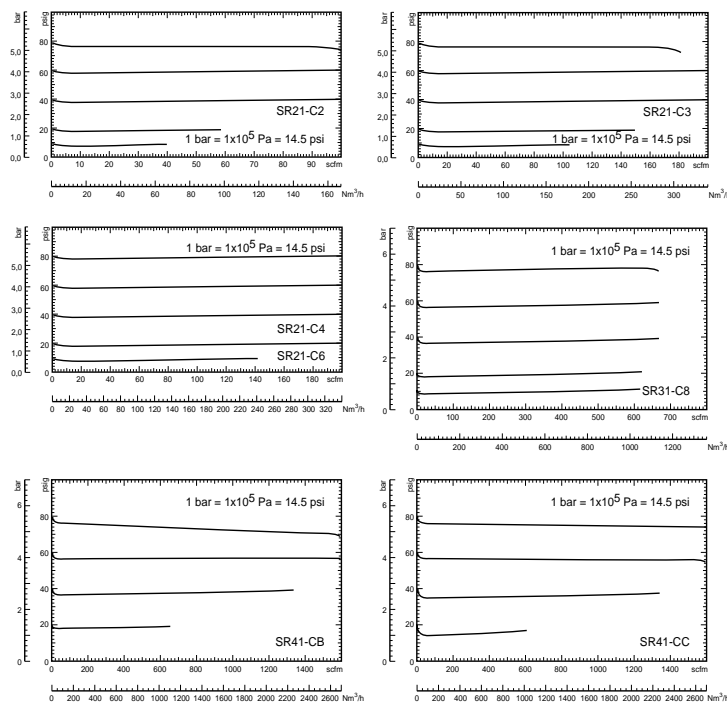


PRODUCT INFORMATION

To avoid loss of system pressure, the following maximum number of SILVENT nozzles is recommended for the respective regulator models. The table below shows pipe dimensions and the model designations of the various SILVENT nozzles.

ORDER NO.	CONNECTION PIPE DIAM.	NUMBER OF NOZZLES									PRESSURE RANGE	
		209	511	011	920	701	703	705	710	720	(bar)	(psi)
SR-21-C2	1/4"	3	3	3	1	3	1	0	0	0	0,4-11	6-160
SR-21-C3	3/8"	5	6	6	3	5	2	1	0	0	0,4-11	6-160
SR-21-C4	1/2"	10	12	12	6	10	3	2	1	0	0,4-11	6-160
SR-21-C6	3/4"	22	26	26	14	22	7	4	2	1	0,4-11	6-160
SR-31-C8	1"	40	46	46	25	40	13	8	4	2	0,4-11	6-160
SR-41-CB	1 1/2"	90	103	103	57	90	30	18	9	4	0,6-11	8.5-160
SR-41-CC	2"	159	184	184	101	159	53	32	16	8	0,6-11	8.5-160

FLOW CHARACTERISTICS CHARTS



Note! The design of the regulators entails a slight constant air bleed 0.05 scfm (0.024 NL /s), at 100 psi (7 bar) inlet and 80 psi (5.5 bar) outlet.

All charts are based on an inlet pressure of 7 bar (100 psi).

Manometer Ø 50 mm, 1-4", 0-10 bar (0-160 psi) for SR21
Ø 63 mm, 1-4", 0-10 bar (0-160 psi) for SR31 and SR41.

Max. temperature: 79° C (178° F)
Max. operating pressure: 2.1 MPa (300 psi)