



## Section 2

## Remote air valves

---



# R e m o t e a i r v a l v e s

Function	Port size	Flow (Max)	Individual mounting			Manifold mounting			Series
			inline	sub-base	valve only	stacking	sub-base	valve only	
3/2 - 2/2	1/8" - 1/4"	0.18 C <sub>v</sub>	■						1100
3/2 - 2/2	1/8"	0.18 C <sub>v</sub>					■		
3/2 - 2/2	1/4" - 3/8"	2.5 C <sub>v</sub>	■						
3/2 - 2/2	3/8" - 1/2" - 3/4"	6.2 C <sub>v</sub>	■						
3/2 - 2/2	1/2" - 3/4" - 1"	17.4 C <sub>v</sub>	■						
3/2 - 2/2	1" - 1 1/4" - 1 1/2"	33.5 C <sub>v</sub>	■						
3/2 - 2/2	2" - 2 1/2"	65.0 C <sub>v</sub>	■						
4/2	1/8" - 1/4"	0.7 C <sub>v</sub>	■						
4/2	1/8" - 1/4"	0.8 C <sub>v</sub>				■			
4/2	1/8" - 1/4"	1.4 C <sub>v</sub>	■			■			900
4/2 - 4/3	1/8" - 1/4" - 3/8"	1.35 C <sub>v</sub>		■					82
4/2 - 4/3	1/4" - 3/8"	1.35 C <sub>v</sub>					■		
4/2 - 4/3	1/4" - 3/8" - 1/2"	3.0 C <sub>v</sub>		■			■		
4/2 - 4/3	3/8" - 1/2" - 3/4"	5.1 C <sub>v</sub>		■			■		
4/2 - 4/3	3/4" - 1"	9.6 C <sub>v</sub>		■			■		
4/2 - 4/3	3/4" - 1" - 1 1/4" - 1 1/2"	15.9 C <sub>v</sub>		■					
5/2 - 5/3	1/4"	1.4 C <sub>v</sub>	■						
5/2 - 5/3	1/4" - 3/8"	1.6 C <sub>v</sub>			■			■	
5/2 - 5/3	3/8" - 1/2"	3.0 C <sub>v</sub>			■			■	
5/2 - 5/3	1/2" - 3/4"	6.3 C <sub>v</sub>			■			■	



# R e m o t e a i r v a l v e s

## Individual mounting

Inline	
--------	--

## Manifold mounting

sub-base	
----------	--



# R e m o t e a i r v a l v e s

Function	Port size	Flow (Max)	Individual mounting
3/2 NO-NC, 2/2 NO-NC	1/8" - 1/4"	0.18 C <sub>v</sub>	Inline

### OPERATIONAL BENEFITS

1. Balanced poppet, immune to variations of pressure.
2. Short stroke with high flow.
3. Powerful return spring.
4. Maximum shifting forces.



### HOW TO ORDER

Port size	Universal valve	NC only valve
1/8" NPTF	1111A-111	1161A-111
1/4" NPTF	1113A-111	1163A-111

Air pilot port : 1/8" NPTF.

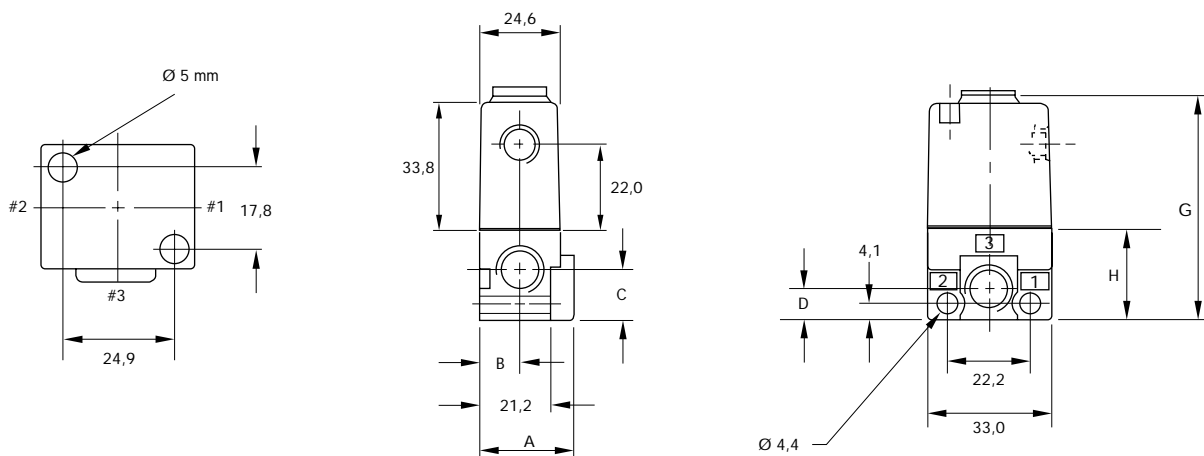
**TECHNICAL DATA**

Fluid :	Compressed air, vacuum, inert gases
Pressure range :	Vacuum to 150 PSI
Air signal pressure :	20 PSI
Lubrication :	Not required, if used select a medium aniline point lubricant (between 180°F to 210°F)
Filtration :	40 μ
Temperature range :	0°F to 140°F (-18°C to 60°C)
Flow (at 6 bar, ΔP=1bar) :	0.18 C <sub>v</sub>
Leak rate :	50 cm <sup>3</sup> /min

Options : • BSPP threads.

**DIMENSIONS**

Dimensions shown are metric (mm)



Port size	A	B	C	D	G	H
1/8"	28.4	12.7	14.0	8.0	60.1	23.2
1/4"	29.8	13.3	12.7	9.9	60.9	24.1

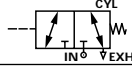
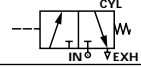
Function	Port size	Flow (Max)	Manifold mounting
3/2 NO-NC, 2/2 NO-NC	1/8"	0.18 C <sub>v</sub>	sub-base

**OPERATIONAL BENEFITS**

1. Balanced poppet, immune to variations of pressure.
2. Short stroke with high flow.
3. Powerful return spring.
4. Maximum shifting forces.



**HOW TO ORDER**

Port size	Universal valve	NC only valve
		
Valve less base	1130A-111	1170A-111
Sub-base 1/8" NPTF	1132A-111	1172A-111

Air pilot port : 1/8" NPTF.  
End plate kit (1/4" ports) : A2-5004-01.

**OPTIONS**

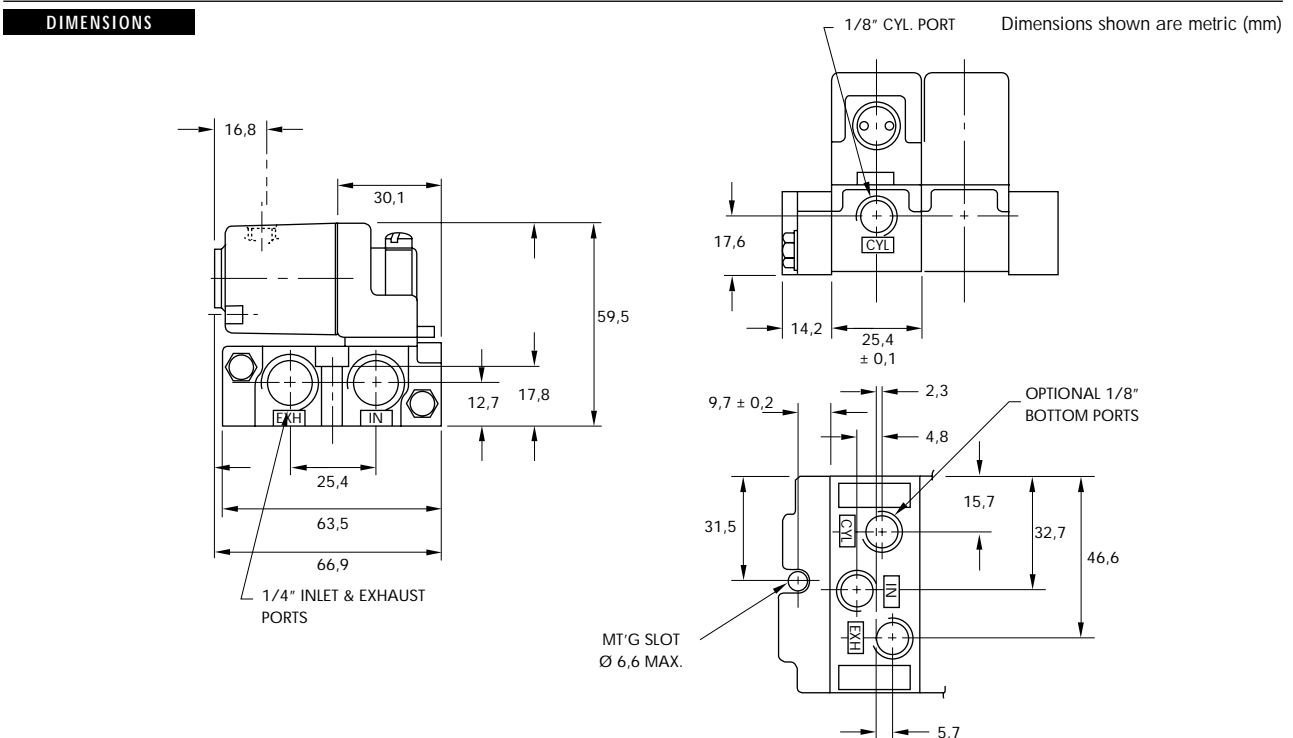
11X2A-111

- Replace by 2 for 2-way normally closed.
- Replace by 4 for 2-way normally open.

TECHNICAL DATA	
Fluid :	Compressed air, vacuum, inert gases
Pressure range :	Vacuum to 150 PSI
Air signal pressure :	20 PSI
Lubrication :	Not required, if used select a medium aniline point lubricant (between 180°F to 210°F)
Filtration :	40 μ
Temperature range :	0°F to 140°F (-18°C to 60°C)
Flow (at 6 bar, ΔP=1bar) :	1/8" : (0.18 C <sub>v</sub> )
Leak rate :	50 cm <sup>3</sup> /min

Spare parts : • Function plate : A2-7009. • Pressure seal between bases : 16226. • Tie-rod (x2) : 19546.

Options : • BSPP threads.





# R e m o t e a i r v a l v e s

## Individual mounting

Inline	
--------	--





# R e m o t e a i r v a l v e s

Function	Port size	Flow (Max)	Individual mounting
3/2 NO-NC, 2/2 NO-NC	1/4" - 3/8"	2.5 C <sub>v</sub>	Inline

### OPERATIONAL BENEFITS

- Balanced spool, immune to variations of pressure.
- Short stroke with high flow.
- The piston (booster) provides maximum shifting forces.
- Powerful return thanks to the combination of mechanical and air springs.
- Bonded spool with minimum friction, shifting in a glass-like finished bore.
- Wiping effect eliminates sticking.
- Low leakage rate.



### HOW TO ORDER

Port size	Air spring	NC valve	NO valve
1/4" NPTF	Internal	55B-11-RA	55B-21-RA
3/8" NPTF		55B-12-RA	55B-22-RA
1/4" NPTF	External	55B-11-RE	55B-21-RE
3/8" NPTF		55B-12-RE	55B-22-RE

Air pilot port : 1/8" NPTF.

Note: Designation "RE" required on remote air pilot models with main valve pressures of vacuum to 25 PSI. "RE" provides an external pilot port and should have a pressure range of 25-100 PSI. Since the external pilot supplies the air spring, it must not exceed the remote air pilot signal pressure.

**TECHNICAL DATA**

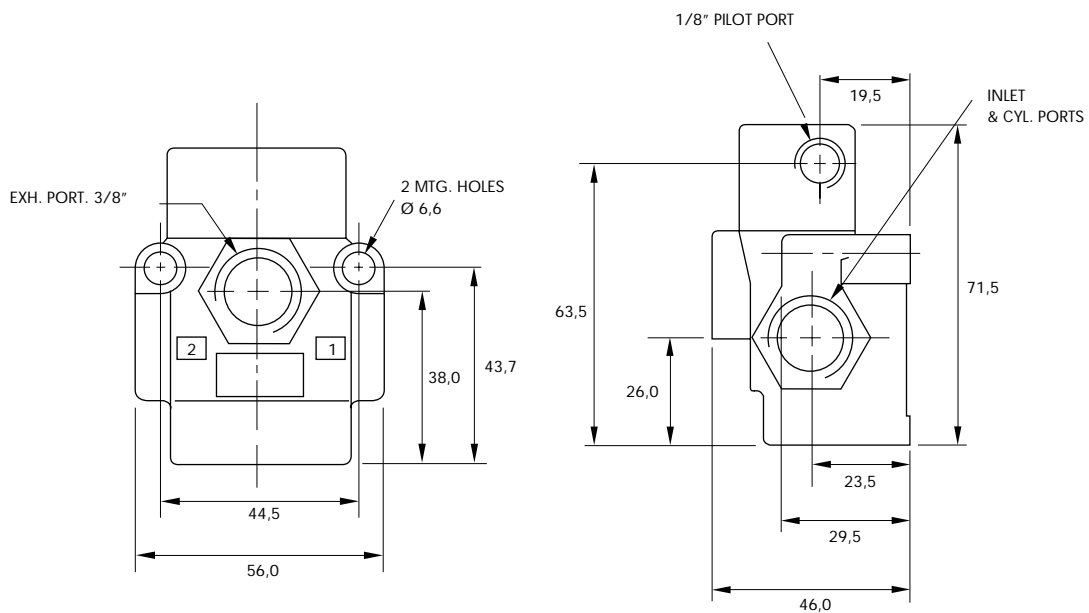
Fluid :	Compressed air, vacuum, inert gases
Pressure range :	Vacuum to 150 PSI
Air signal pressure :	25 - 150 PSI $\geq$ main valve pressure
Lubrication :	Not required, if used select a medium aniline point lubricant (between 180°F to 210°F)
Filtration :	40 $\mu$
Temperature range :	0°F to 120°F (-18°C to 50°C)
Flow (at 6 bar, $\Delta P=1\text{bar}$ ) :	1/4" : (2.5 C <sub>v</sub> ), 3/8" : (2.5 C <sub>v</sub> )
Leak rate :	50 cm <sup>3</sup> /min

Spare parts : • Remote air operator : R-55001-01. • Check valve : 70061.

Options : • BSPP threads.

**DIMENSIONS**

Dimensions shown are metric (mm)





# R e m o t e a i r v a l v e s

## Individual mounting

Inline	
--------	--

Function	Port size	Flow (Max)	Individual mounting
3/2 NO-NC, 2/2 NO-NC	3/8" - 1/2" - 3/4"	6.2 C <sub>v</sub>	Inline

**OPERATIONAL BENEFITS**

1. Balanced spool, immune to variations of pressure.
2. Short stroke with high flow.
3. The piston (booster) provides maximum shifting forces.
4. Powerful return thanks to the combination of mechanical and air springs.
5. Bonded spool with minimum friction, shifting in a glass-like finished bore.
6. Wiping effect eliminates sticking.
7. Low leakage rate.



**HOW TO ORDER**

Port size	Air spring	NC valve	NO valve
3/8" NPTF	Internal	56C-52-RA	56C-82-RA
1/2" NPTF		56C-53-RA	56C-83-RA
3/4" NPTF		56C-57-RA	56C-87-RA
3/8" NPTF	External	56C-52-RE	56C-82-RE
1/2" NPTF		56C-53-RE	56C-83-RE
3/4" NPTF		56C-57-RE	56C-87-RE

Air pilot port : 1/8" NPTF.

Note: Designation "RE" required on remote air pilot models with main valve pressures of vacuum to 25 PSI. "RE" provides an external pilot port and should have a pressure range of 25-100 PSI. Since the external pilot supplies the air spring, it must not exceed the remote air pilot signal pressure.

**TECHNICAL DATA**

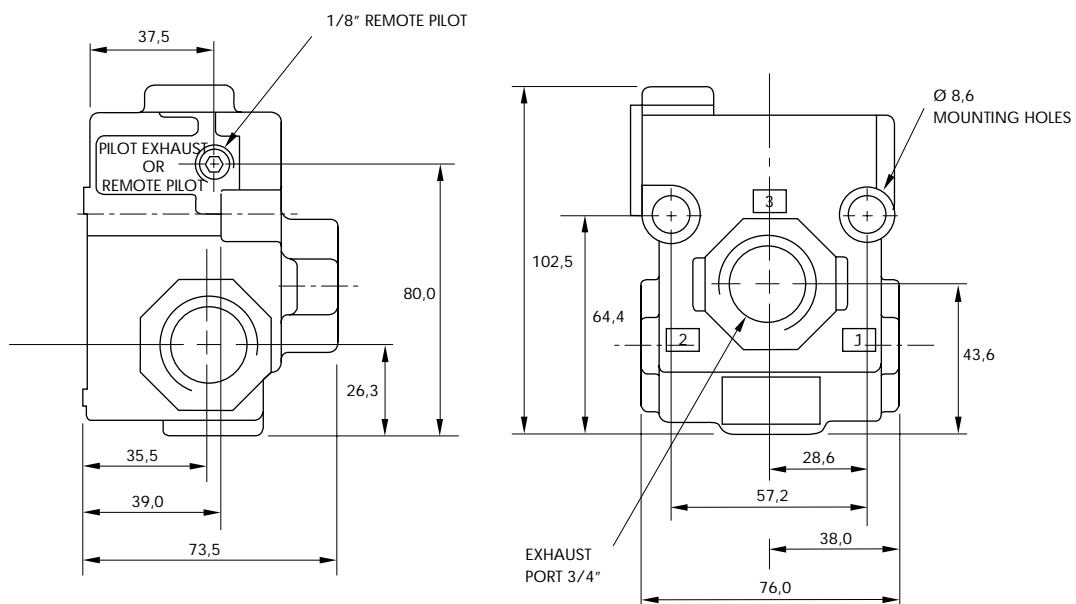
Fluid :	Compressed air, vacuum, inert gases
Pressure range :	Vacuum to 150 PSI
Air signal pressure :	25 - 150 PSI $\geq$ main valve pressure
Lubrication :	Not required, if used select a medium aniline point lubricant (between 180°F to 210°F)
Filtration :	40 $\mu$
Temperature range :	0°F to 120°F (-18°C to 50°C)
Flow (at 6 bar, $\Delta P=1\text{bar}$ ) :	3/8" : (6.0 C <sub>v</sub> ), 1/2" : (6.1 C <sub>v</sub> ), 3/4" : (6.2 C <sub>v</sub> )
Leak rate :	70 cm <sup>3</sup> /min

Spare parts : • Remote air operator : R-56001. • Check valve : 70063.

Options : • BSPP threads.

**DIMENSIONS**

Dimensions shown are metric (mm)





# R e m o t e a i r v a l v e s

## Individual mounting

Inline	
--------	--

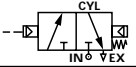
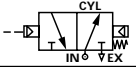
Function	Port size	Flow (Max)	Individual mounting
3/2 NO-NC, 2/2 NO-NC	1/2" - 3/4" - 1"	17.4 C <sub>v</sub>	Inline

**OPERATIONAL BENEFITS**

1. Balanced spool, immune to variations of pressure.
2. Short stroke with high flow.
3. The piston (booster) provides maximum shifting forces.
4. Powerful return thanks to the combination of mechanical and air springs.
5. Bonded spool with minimum friction, shifting in a glass-like finished bore.
6. Wiping effect eliminates sticking.
7. Low leakage rate.



**HOW TO ORDER**

Port size	Air spring	NC valve	NO valve
			
1/2" NPTF	Internal	57C-51-RA	57C-81-RA
3/4" NPTF		57C-52-RA	57C-82-RA
1" NPTF		57C-53-RA	57C-83-RA
1/2" NPTF	External	57C-51-RE	57C-81-RE
3/4" NPTF		57C-52-RE	57C-82-RE
1" NPTF		57C-53-RE	57C-83-RE

Air pilot port : 1/8" NPTF.

Note: Designation "RE" required on remote air pilot models with main valve pressures of vacuum to 25 PSI. "RE" provides an external pilot port and should have a pressure range of 25-75 PSI. Since the external pilot supplies the air spring, it must not exceed the remote air pilot signal pressure.

**TECHNICAL DATA**

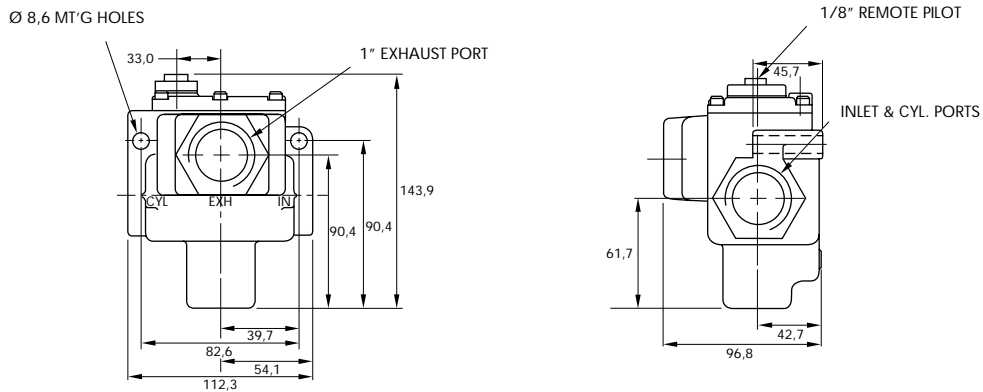
Fluid :	Compressed air, vacuum, inert gases
Pressure range :	Vacuum to 150 PSI
Air signal pressure :	25 - 150 PSI $\geq$ main valve pressure
Lubrication :	Not required, if used select a medium aniline point lubricant (between 180°F to 210°F)
Filtration :	40 $\mu$
Temperature range :	0°F to 120°F (-18°C to 50°C)
Flow (at 6 bar, $\Delta P=1\text{bar}$ ) :	1/2" : (11.0 C <sub>v</sub> ), 3/4" : (15.3 C <sub>v</sub> ), 1" : (17.4 C <sub>v</sub> )
Leak rate :	100 cm <sup>3</sup> /min

Spare parts : • Remote air pilot block : R-59003. • Check valve : 70019.

Options : • BSPP threads.

**DIMENSIONS**

Dimensions shown are metric (mm)







# R e m o t e a i r v a l v e s

## Individual mounting

Inline	
--------	--



# R e m o t e a i r v a l v e s

Function	Port size	Flow (Max)	Individual mounting
3/2 NO-NC, 2/2 NO-NC	1" - 1 1/4" - 1 1/2"	33.5 C <sub>v</sub>	Inline

### OPERATIONAL BENEFITS

- Balanced spool, immune to variations of pressure.
- Short stroke with high flow.
- The piston (booster) provides maximum shifting forces.
- Powerful return thanks to the combination of mechanical and air springs.
- Bonded spool with minimum friction, shifting in a glass-like finished bore.
- Wiping effect eliminates sticking.
- Low leakage rate.



### HOW TO ORDER

Port size	Air spring	NC valve	NO valve
1" NPTF	Internal	58C-51-RA	58C-81-RA
1 1/4" NPTF		58C-52-RA	58C-82-RA
1 1/2" NPTF		58C-53-RA	58C-83-RA
1" NPTF	External	58C-51-RE	58C-81-RE
1 1/4" NPTF		58C-52-RE	58C-82-RE
1 1/2" NPTF		58C-53-RE	58C-83-RE

Air pilot port : 1/8" NPTF.

Note: Designation "RE" required on remote air pilot models with main valve pressures of vacuum to 25 PSI. "RE" provides an external pilot port and should have a pressure range of 25-75 PSI. Since the external pilot supplies the air spring, it must not exceed the remote air pilot signal pressure.

**TECHNICAL DATA**

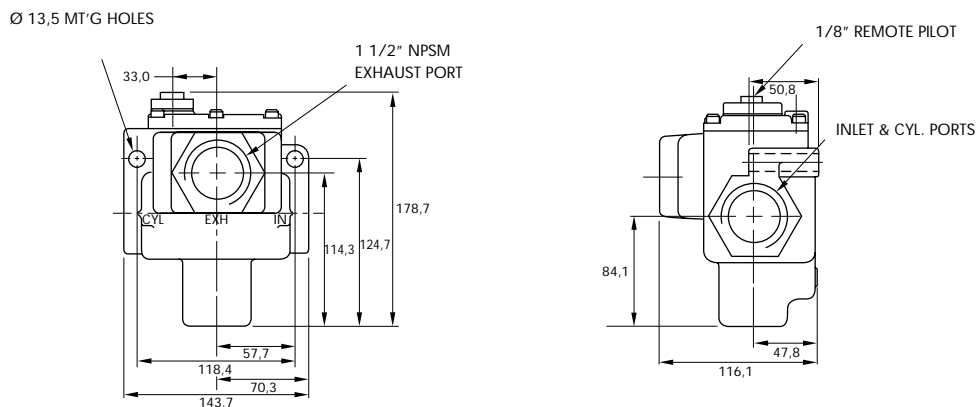
Fluid :	Compressed air, vacuum, inert gases
Pressure range :	Vacuum to 150 PSI
Air signal pressure :	25 - 150 PSI $\geq$ main valve pressure
Lubrication :	Not required, if used select a medium aniline point lubricant (between 180°F to 210°F)
Filtration :	40 $\mu$
Temperature range :	0°F to 120°F (-18°C to 50°C)
Flow (at 6 bar, $\Delta P=1bar$ ) :	1" : (31.2 C <sub>v</sub> ), 1 1/4" : (32.5 C <sub>v</sub> ), 1 1/2" : (33.5 C <sub>v</sub> )
Leak rate :	100 cm <sup>3</sup> /min

Spare parts : • Remote air pilot block : R-59003. • Check valve : 70019.

Options : • BSPP threads.

**DIMENSIONS**

Dimensions shown are metric (mm)





# R e m o t e a i r v a l v e s

## Individual mounting

Inline	
--------	--



# R e m o t e a i r v a l v e s

Function	Port size	Flow (Max)	Individual mounting
3/2 NO-NC, 2/2 NO-NC	2" - 2 1/2"	65.0 C <sub>v</sub>	Inline

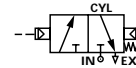
### OPERATIONAL BENEFITS

1. Balanced spool, immune to variations of pressure.
2. Short stroke with high flow.
3. The piston (booster) provides maximum shifting forces.
4. Powerful return thanks to the combination of mechanical and air springs.
5. Bonded spool with minimum friction, shifting in a glass-like finished bore.
6. Wiping effect eliminates sticking.
7. Low leakage rate.



### HOW TO ORDER

Port size	Air spring	NC valve
2" NPTF	Internal	59B-52-RA
2 1/2" NPTF	Internal	59B-53-RA
2" NPTF	External	59B-52-RE
2 1/2" NPTF	External	59B-53-RE



Air pilot port : 1/8" NPTF.

Note: Designation "RE" required on remote air pilot models with main valve pressures of vacuum to 25 PSI. "RE" provides an external pilot port and should have a pressure range of 25-75 PSI. Since the external pilot supplies the air spring, it must not exceed the remote air pilot signal pressure.

**TECHNICAL DATA**

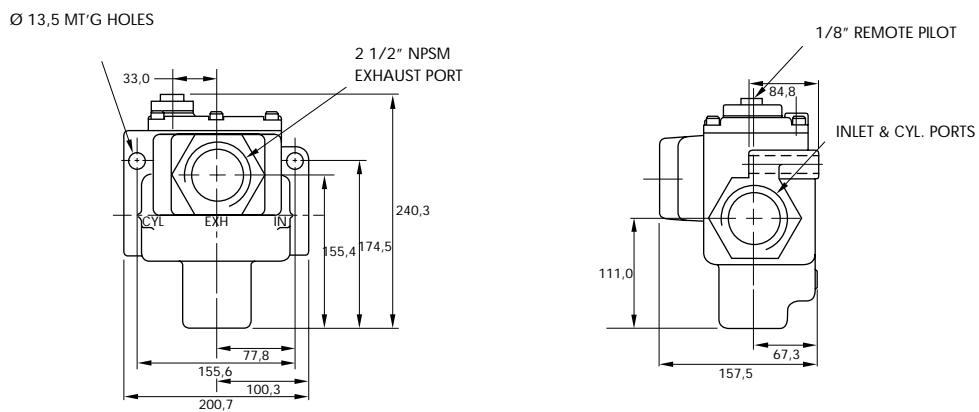
Fluid :	Compressed air, vacuum, inert gases
Pressure range :	Vacuum to 150 PSI
Air signal pressure :	25 - 150 PSI $\geq$ main valve pressure
Lubrication :	Not required, if used select a medium aniline point lubricant (between 180°F to 210°F)
Filtration :	40 $\mu$
Temperature range :	0°F to 120°F (-18°C to 50°C)
Flow (at 6 bar, $\Delta P=1bar$ ) :	2" : (60.0 C <sub>v</sub> ), 2 1/2" : (65.0 C <sub>v</sub> )
Leak rate :	150 cm <sup>3</sup> /min

Spare parts : • Remote air pilot block : R-59003. • Check valve : 70019.

Options : • BSPP threads.

**DIMENSIONS**

Dimensions shown are metric (mm)





# R e m o t e a i r v a l v e s

## Individual mounting

Inline	
--------	--

## Manifold mounting

stacking	
----------	--

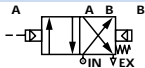
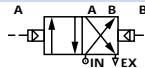
Function	Port size	Flow (Max)	Individual mounting
4/2	1/8" - 1/4"	0.7 C <sub>v</sub>	Inline

**OPERATIONAL BENEFITS**

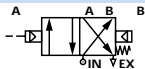
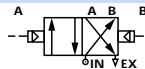
1. Balanced spool, immune to variations of pressure.
2. Short stroke with high flow.
3. The piston (booster) provides maximum shifting forces.
4. Powerful return thanks to the combination of mechanical and air springs.
5. Bonded spool with minimum friction, shifting in a glass-like finished bore.
6. Wiping effect eliminates sticking.
7. Low leakage rate.



**HOW TO ORDER**

Port size	Single operator	Double operator
		
1/8" NPTF	711C-11-RA	721C-11-RA
1/4" NPTF	711C-12-RA	721C-12-RA

**HOW TO ORDER VALVE WITH FLOW CONTROLS**

Port size	Single operator	Double operator
		
1/8" NPTF	712C-11-RA	722C-11-RA
1/4" NPTF	712C-12-RA	722C-12-RA

Air pilot port : 1/8" NPTF.



**TECHNICAL DATA**

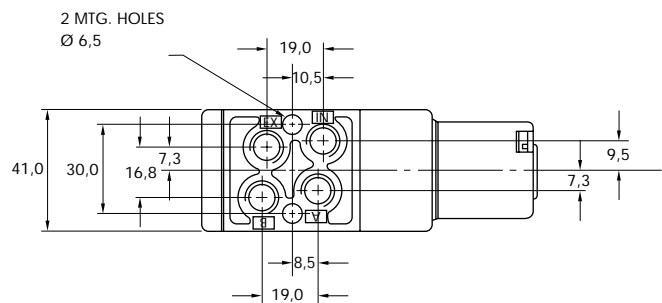
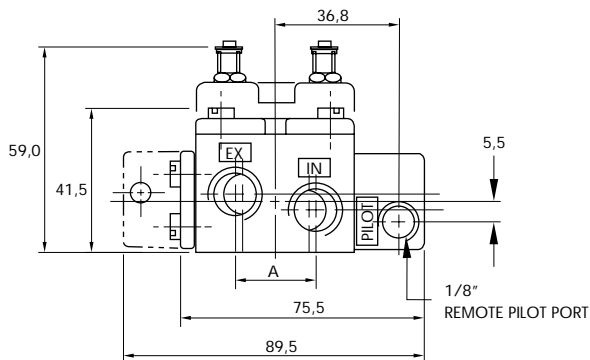
Fluid :	Compressed air, vacuum, inert gases
Pressure range :	Vacuum to 150 PSI
Air signal pressure :	Single operator : 20 to 150 PSI $\geq$ main valve pressure Double operator : 10 to 150 PSI
Lubrication :	Not required, if used select a medium aniline point lubricant (between 180°F to 210°F)
Filtration :	40 $\mu$
Temperature range :	0°F to 120°F (-18°C to 50°C)
Flow (at 6 bar, $\Delta P=1\text{bar}$ ) :	1/8" : (0.6 C <sub>v</sub> ), 1/4" : (0.7 C <sub>v</sub> )
Leak rate :	50 cm <sup>3</sup> /min

Spare parts : • Remote air operator : R-07002. • Valve cover plate with integral flow controls : N-07002.

Options : • BSPP threads.

**DIMENSIONS**

Dimensions shown are metric (mm)

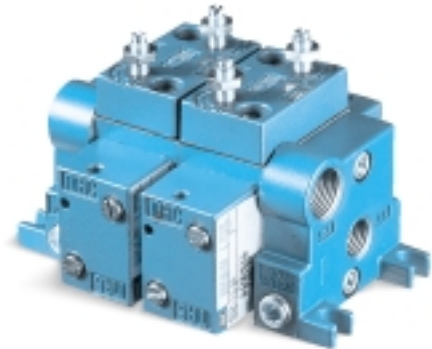


PORT SIZE	A
1/8"	21.0
1/4"	24.0

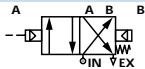
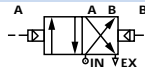
Function	Port size	Flow (Max)	Manifold mounting
4/2	1/8" - 1/4"	0.8 C <sub>v</sub>	stacking

**OPERATIONAL BENEFITS**

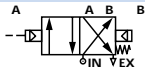
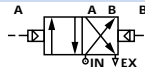
1. Balanced spool, immune to variations of pressure.
2. Short stroke with high flow.
3. The piston (booster) provides maximum shifting forces.
4. Powerful return thanks to the combination of mechanical and air springs.
5. Bonded spool with minimum friction, shifting in a glass-like finished bore.
6. Wiping effect eliminates sticking.
7. Low leakage rate.



**HOW TO ORDER**

Port size	Single operator	Double operator
		
1/8" NPTF	713C-11-RA	723C-11-RA
1/4" NPTF	713C-12-RA	723C-12-RA

**HOW TO ORDER VALVE WITH FLOW CONTROLS**

Port size	Single operator	Double operator
		
1/8" NPTF	714C-11-RA	724C-11-RA
1/4" NPTF	714C-12-RA	724C-12-RA

End plate kit (Port size 1/4") : M-07001-01-01, internal pilot.  
M-07001-02-01, external pilot.

Air pilot port : 1/8" NPTF.

**TECHNICAL DATA**

Fluid :	Compressed air, vacuum, inert gases
Pressure range :	Vacuum to 150 PSI
Air signal pressure :	Single operator : 20 to 150 PSI $\geq$ main valve pressure Double operator : 10 to 150 PSI
Lubrication :	Not required, if used select a medium aniline point lubricant (between 180°F to 210°F)
Filtration :	40 $\mu$
Temperature range :	0°F to 120°F (-18°C to 50°C)
Flow (at 6 bar, $\Delta P=1\text{bar}$ ) :	1/8" : (0.7 C <sub>v</sub> ), 1/4" : (0.8 C <sub>v</sub> )
Leak rate :	50 cm <sup>3</sup> /min

Spare parts : 

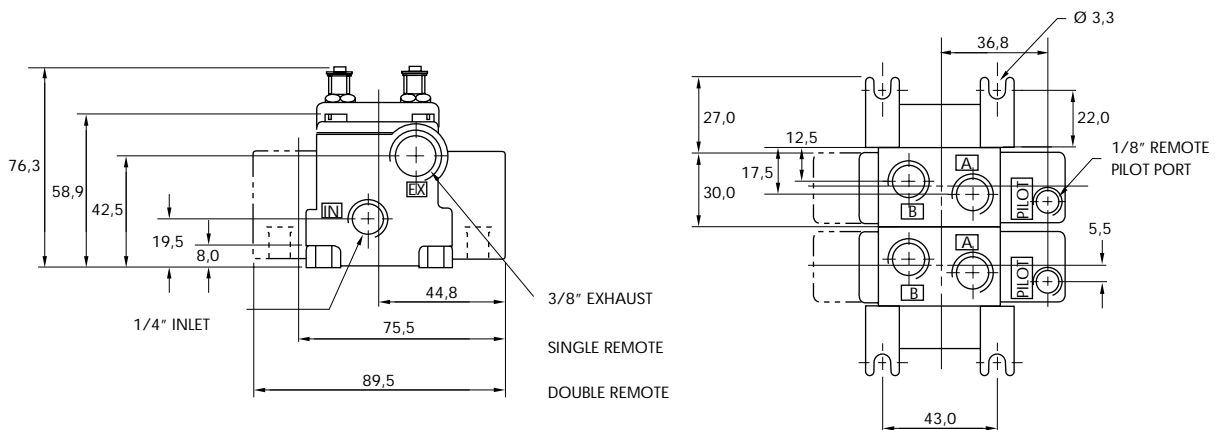
- Remote air operator : R-07002.
- Valve cover plate with integral flow controls : N-07004.
- Pressure seal between valves : 16368.
- Tie-rod (x2) : 19674.

Options : 

- BSPP threads.

**DIMENSIONS**

Dimensions shown are metric (mm)





# R e m o t e a i r v a l v e s

## Individual mounting

Inline	
--------	--

## Manifold mounting

stacking	
----------	--



# R e m o t e a i r v a l v e s

Function	Port size	Flow (Max)	Individual mounting
4/2	1/8" - 1/4"	1.4 C <sub>v</sub>	Inline

### OPERATIONAL BENEFITS

- Balanced spool, immune to variations of pressure.
- Short stroke with high flow.
- The piston (booster) provides maximum shifting forces.
- Powerful return thanks to the combination of mechanical and air springs.
- Bonded spool with minimum friction, shifting in a glass-like finished bore.
- Wiping effect eliminates sticking.
- Low leakage rate.



### HOW TO ORDER

Port size	Single operator	Double operator
1/8" NPTF	911B-RA	921B-RA
1/4" NPTF	912B-RA	922B-RA

Air pilot port : 1/8" NPTF.

**TECHNICAL DATA**

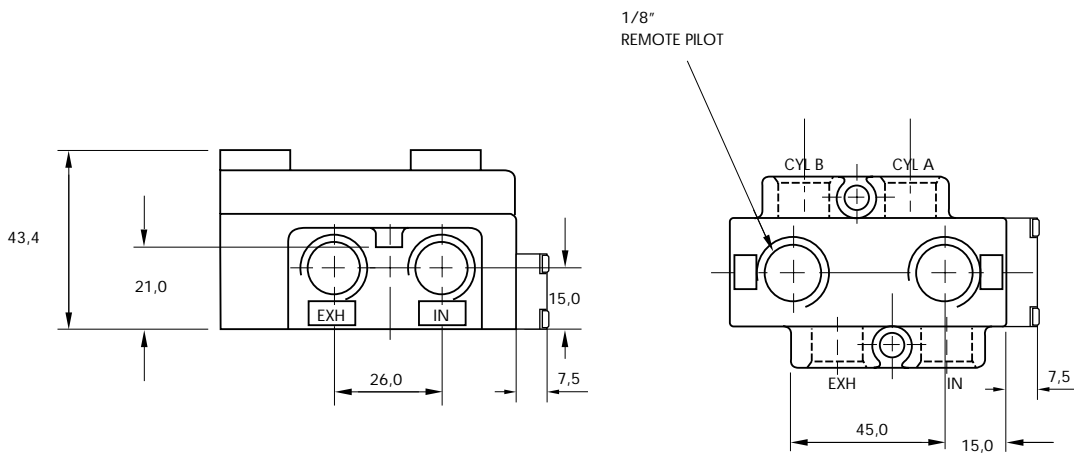
Fluid :	Compressed air, vacuum, inert gases
Pressure range :	Vacuum to 150 PSI
Air signal pressure :	Single operator : 25 to 150 PSI $\geq$ main valve pressure Double operator : 10 to 150 PSI
Lubrication :	Not required, if used select a medium aniline point lubricant (between 180°F to 210°F)
Filtration :	40 $\mu$
Temperature range :	0°F to 120°F (-18°C to 50°C)
Flow (at 6 bar, $\Delta P=1\text{bar}$ ) :	1/8" : (0.8 C <sub>v</sub> ), 1/4" : (1.2 C <sub>v</sub> )
Leak rate :	50 cm <sup>3</sup> /min

Spare parts : • Remote air operator (single operator) : R-09002-01. • Remote air operator ( double operator) : R-09002-02.

Options : • BSPP threads.

**DIMENSIONS**

Dimensions shown are metric (mm)





# R e m o t e a i r v a l v e s

Function	Port size	Flow (Max)	Manifold mounting
4/2	1/8" - 1/4"	1.4 C <sub>v</sub>	stacking

### OPERATIONAL BENEFITS

1. Balanced spool, immune to variations of pressure.
2. Short stroke with high flow.
3. The piston (booster) provides maximum shifting forces.
4. Powerful return thanks to the combination of mechanical and air springs.
5. Bonded spool with minimum friction, shifting in a glass-like finished bore.
6. Wiping effect eliminates sticking.
7. Low leakage rate.



### HOW TO ORDER

Port size	Single operator	Double operator
1/8" NPTF	913B-RA	923B-RA
1/4" NPTF	914B-RA	924B-RA

Air pilot port : 1/8" NPTF.

Manifold fastening kit (3/8" NPTF) : M-09001-01.

**TECHNICAL DATA**

Fluid :	Compressed air, vacuum, inert gases
Pressure range :	Vacuum to 150 PSI
Air signal pressure :	Single operator : 25 to 150 PSI $\geq$ main valve pressure Double operator : 10 to 150 PSI
Lubrication :	Not required, if used select a medium aniline point lubricant (between 180°F to 210°F)
Filtration :	40 $\mu$
Temperature range :	0°F to 120°F (-18°C to 50°C)
Flow (at 6 bar, $\Delta P=1\text{bar}$ ) :	1/8" : (0.8 C <sub>v</sub> ), 1/4" : (1.2 C <sub>v</sub> )
Leak rate :	50 cm <sup>3</sup> /min

Spare parts :

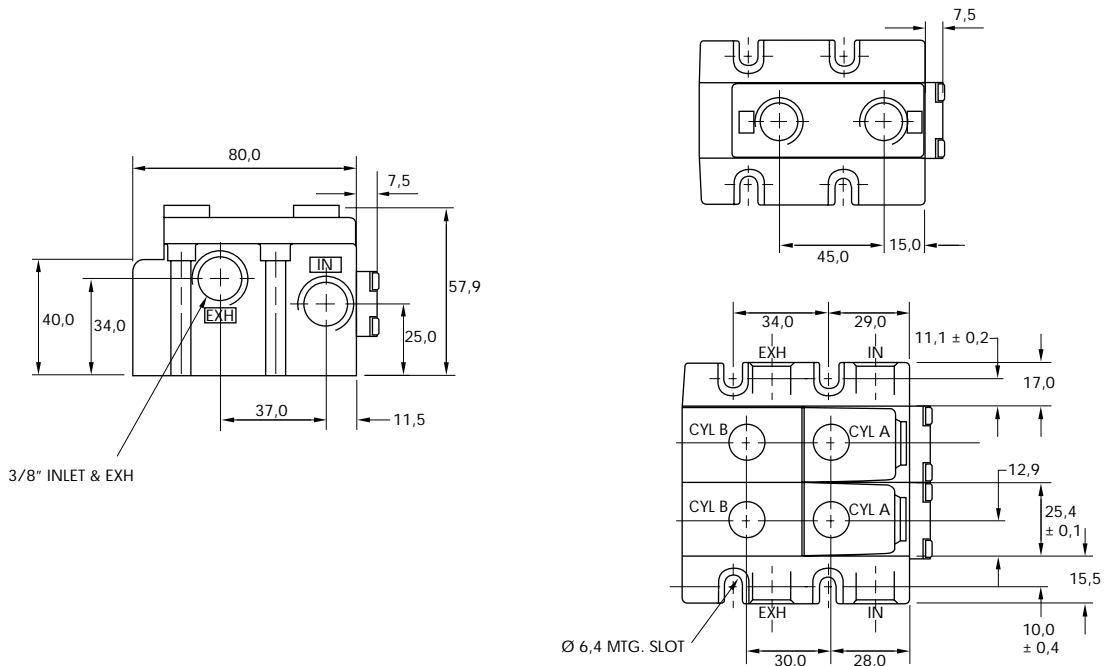
- Remote air operator (single operator) : R-09002-01. • Remote air operator (double operator) : R-09002-02.
- Pressure seal between valves : 16358. • Tie-rod (x2) : 19615.

Options :

- BSPP threads.

**DIMENSIONS**

Dimensions shown are metric (mm)







# R e m o t e a i r v a l v e s

## Individual mounting



## Manifold mounting



Function	Port size	Flow (Max)	Individual mounting
4/2 - 4/3	1/8" - 1/4" - 3/8"	1.35 C <sub>v</sub>	sub-base

**OPERATIONAL BENEFITS**

1. Balanced spool, immune to variations of pressure.
2. Short stroke with high flow.
3. The piston (booster) provides maximum shifting forces.
4. Powerful return thanks to the combination of mechanical and air springs.
5. Bonded spool with minimum friction, shifting in a glass-like finished bore.
6. Wiping effect eliminates sticking.
7. Low leakage rate.



**HOW TO ORDER**

Port size	4/2 Single operator	4/2 Double operator	4/3 Closed center	4/3 Open center	4/3 Pressure center
Valve less base	82A-AB-000-RA	82A-BB-000-RA	82A-EB-000-RA	82A-FB-000-RA	82A-GB-000-RA
Sub-base 1/8" NPTF	82A-AB-AAA-RA	82A-BB-AAD-RA	82A-EB-AAD-RA	82A-FB-AAD-RA	82A-GB-AAD-RA
Sub-base 1/4" NPTF	82A-AB-BAA-RA	82A-BB-BAD-RA	82A-EB-BAD-RA	82A-FB-BAD-RA	82A-GB-BAD-RA
Sub-base 3/8" NPTF	82A-AB-CAA-RA	82A-BB-CAD-RA	82A-EB-CAD-RA	82A-FB-CAD-RA	82A-GB-CAD-RA

**OPTIONS**

82A-AB-000-RA

└ - For dual pressure valves, replace A by C, B by D, E by M, F by L, G by H.

### TECHNICAL DATA

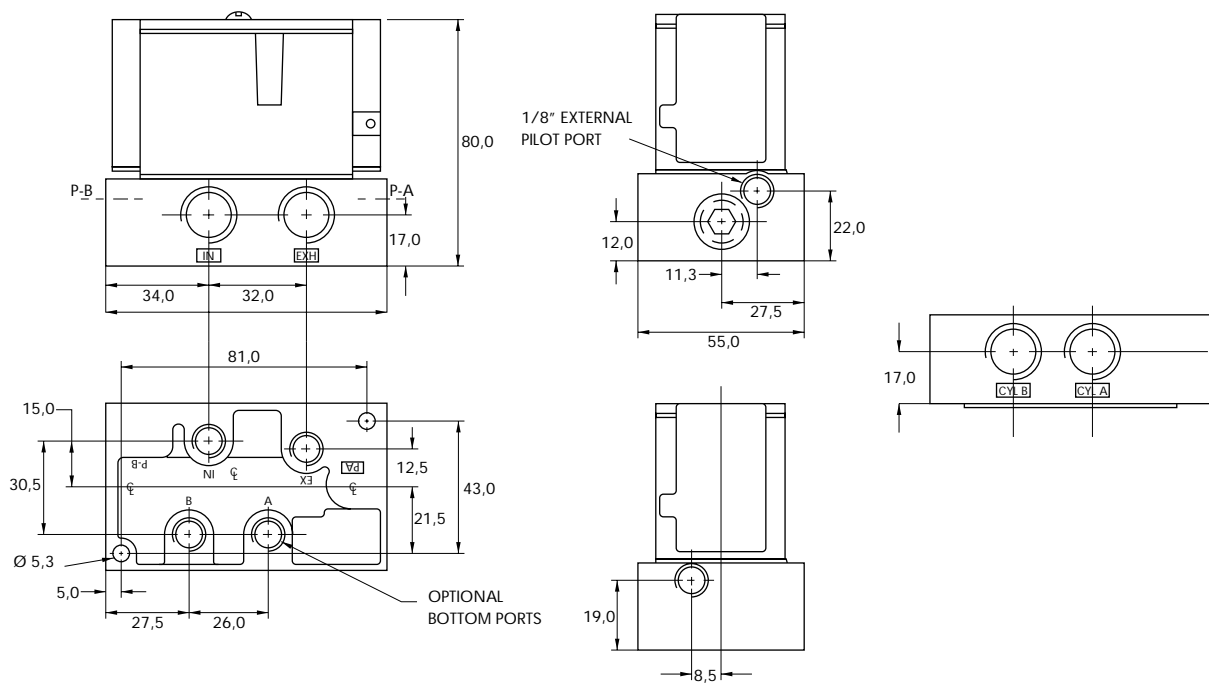
Fluid :	Compressed air, vacuum, inert gases
Pressure range :	Vacuum to 150 PSI
Air signal pressure :	Single operator and 3 positions : 25 to 150 PSI $\geq$ main valve pressure      Double operator : 10 to 150 PSI
Lubrication :	Not required, if used select a medium aniline point lubricant (between 180°F to 210°F)
Filtration :	40 $\mu$
Temperature range :	0°F to 120°F (-18°C to 50°C)
Flow (at 6 bar, $\Delta P=1\text{bar}$ ) :	1/8" : (0.9 C <sub>v</sub> ), 1/4" : (1.3 C <sub>v</sub> ), 3/8" : (1.35 C <sub>v</sub> )
Leak rate :	100 cm <sup>3</sup> /min

Spare parts :      • Remote air adapter assy.: R-82003.

Options :      • BSPP threads.

### DIMENSIONS

Dimensions shown are metric (mm)



Function	Port size	Flow (Max)	Manifold mounting
4/2 - 4/3	1/4" - 3/8"	1.35 C <sub>v</sub>	sub-base

### OPERATIONAL BENEFITS

- Balanced spool, immune to variations of pressure.
- Short stroke with high flow.
- The piston (booster) provides maximum shifting forces.
- Powerful return thanks to the combination of mechanical and air springs.
- Bonded spool with minimum friction, shifting in a glass-like finished bore.
- Wiping effect eliminates sticking.
- Low leakage rate.



### HOW TO ORDER

Port size	Pilot air	4/2 Single operator	4/2 Double operator	4/3 Closed center	4/3 Open center	4/3 Pressure center
Valve less base	Internal only	82A-AB-000-TM-RA11	82A-BB-000-TM-RA11	82A-EB-000-TM-RA11	82A-FB-000-TM-RA11	82A-GB-000-TM-RA11
Sub-base	Internal	82A-AB-BKA-TM-RA11	82A-BB-BKA-TM-RA11	82A-EB-BKA-TM-RA11	82A-FB-BKA-TM-RA11	82A-GB-BKA-TM-RA11
1/4" NPTF	External	82A-AB-BKD-TM-RA11	82A-BB-BKD-TM-RA11	82A-EB-BKD-TM-RA11	82A-FB-BKD-TM-RA11	82A-GB-BKD-TM-RA11
Sub-base	Internal	82A-AB-CKA-TM-RA11	82A-BB-CKA-TM-RA11	82A-EB-CKA-TM-RA11	82A-FB-CKA-TM-RA11	82A-GB-CKA-TM-RA11
3/8" NPTF	External	82A-AB-CKD-TM-RA11	82A-BB-CKD-TM-RA11	82A-EB-CKD-TM-RA11	82A-FB-CKD-TM-RA11	82A-GB-CKD-TM-RA11

### OPTIONS

82A-AB-000-TM-RA11

- For dual pressure valves, replace A by C, B by D, E by M, F by L, G by H.

Manifold fastening kit : N-82005-01.

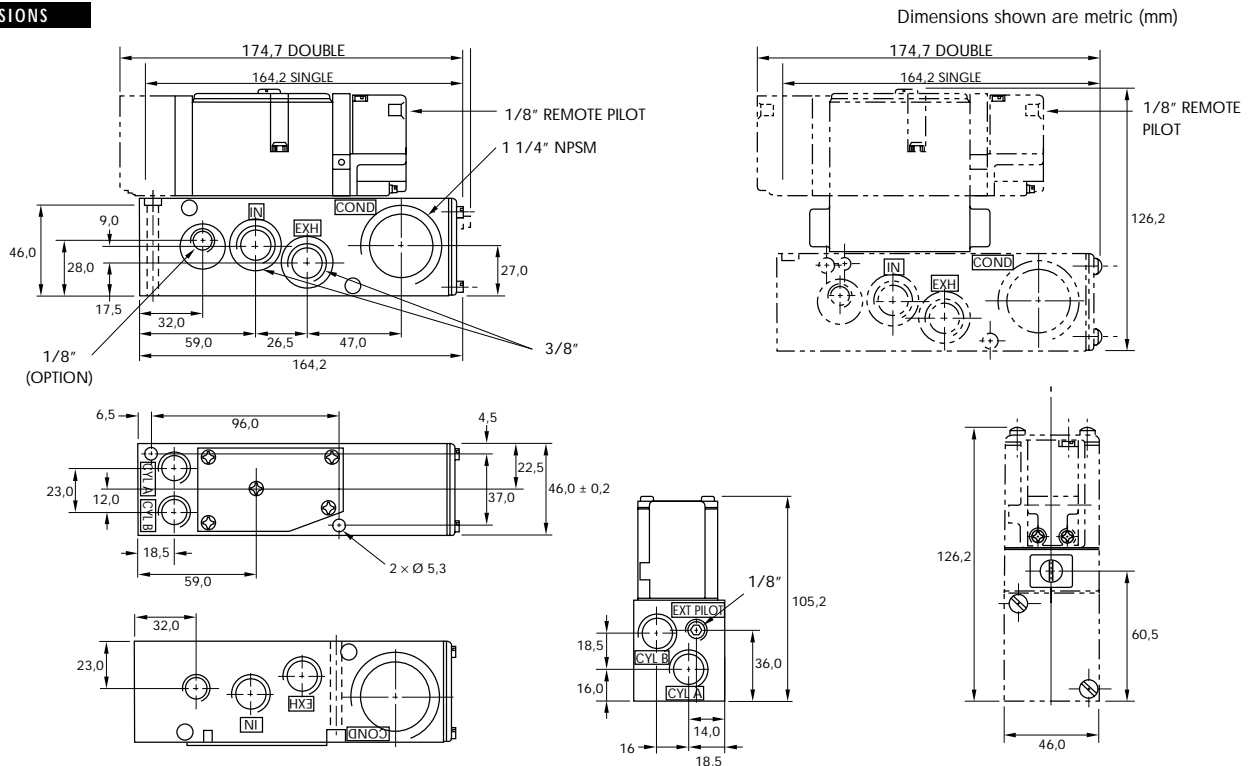
### TECHNICAL DATA

Fluid :	Compressed air, vacuum, inert gases
Pressure range :	Vacuum to 150 PSI
Air signal pressure :	Single operator and 3 positions : 25 to 150 PSI $\geq$ main valve pressure      Double operator : 10 to 150 PSI
Lubrication :	Not required, if used select a medium aniline point lubricant (between 180°F to 210°F)
Filtration :	40 $\mu$
Temperature range :	0°F to 120°F (-18°C to 50°C)
Flow (at 6 bar, $\Delta P=1\text{bar}$ ) :	1/4" : (1.3 C <sub>v</sub> ), 3/8" : (1.35 C <sub>v</sub> )
Leak rate :	100 cm <sup>3</sup> /min

Spare parts :      • Remote air operated pilot : TM-RA11.

Options :            • BSPP threads.

### DIMENSIONS





# R e m o t e a i r v a l v e s

## Individual mounting



## Manifold mounting



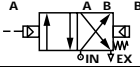
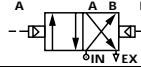
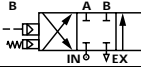
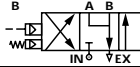
Function	Port size	Flow (Max)	Individual mounting
4/2 - 4/3	1/4" - 3/8" - 1/2"	3.0 C <sub>v</sub>	sub-base

**OPERATIONAL BENEFITS**

1. Balanced spool, immune to variations of pressure.
2. Short stroke with high flow.
3. The piston (booster) provides maximum shifting forces.
4. Powerful return thanks to the combination of mechanical and air springs.
5. Bonded spool with minimum friction, shifting in a glass-like finished bore.
6. Wiping effect eliminates sticking.
7. Low leakage rate.



**HOW TO ORDER**

Port size	4/2 Single operator	4/2 Double operator	4/3 Closed center	4/3 Open center
				
Valve less base	6312D-000-RA	6322D-000-RA	6332D-000-RA	6342D-000-RA
Sub-base 1/4" NPTF	6312D-131-RA	6322D-141-RA	6332D-141-RA	6342D-141-RA
Sub-base 3/8" NPTF	6312D-231-RA	6322D-241-RA	6332D-241-RA	6342D-241-RA
Sub-base 1/2" NPTF	6312D-331-RA	6322D-341-RA	6332D-341-RA	6342D-341-RA

**OPTIONS**

- 6312D-131-RA
- For bottom ports (excluding 1/2"), replace by 4.
  - For dual pressure valves (see section 6 for use with sandwich regulators), replace by 5.

**TECHNICAL DATA**

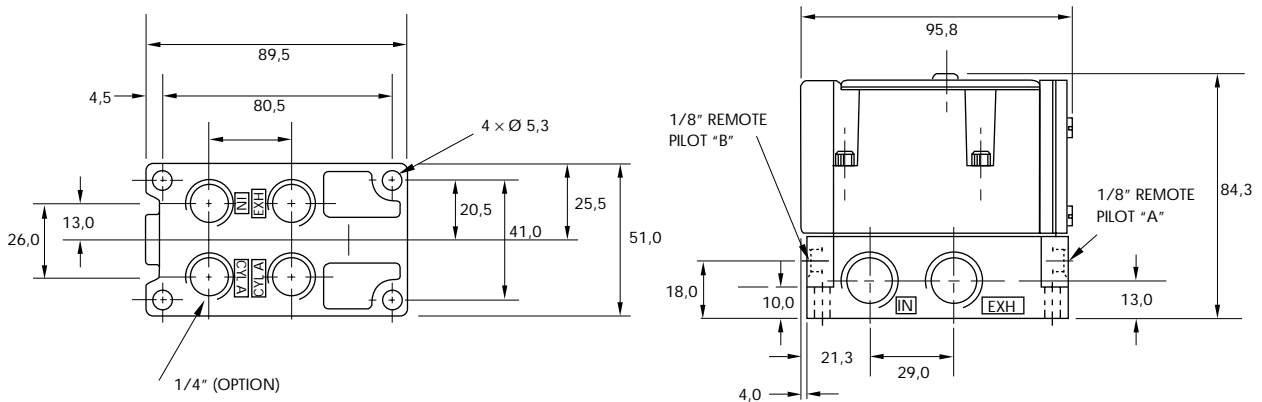
Fluid :	Compressed air, vacuum, inert gases
Pressure range :	Vacuum to 150 PSI
Air signal pressure :	Single operator and 3 positions : 25 to 150 PSI $\geq$ main valve pressure      Double operator : 10 to 150 PSI
Lubrication :	Not required, if used select a medium aniline point lubricant (between 180°F to 210°F)
Filtration :	40 $\mu$
Temperature range :	0°F to 120°F (-18°C to 50°C)
Flow (at 6 bar, $\Delta P=1bar$ ) :	1/4" : (2.0 C <sub>v</sub> ), 3/8" : (2.6 C <sub>v</sub> ), 1/2" : (3.0 C <sub>v</sub> )
Leak rate :	100 cm <sup>3</sup> /min

Spare parts :      • Remote air operator (A side) : R-63004A. • Remote air operator (B side) : R-63005A.  
                              • Seal between valve and base : 16298. • Mounting screw valve to base (x4) : 35303.

Options :              • BSPP threads.

**DIMENSIONS**

Dimensions shown are metric (mm)

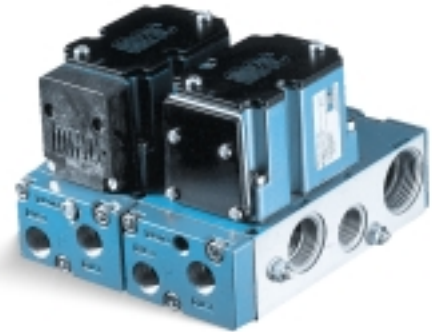




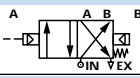
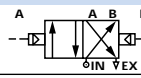
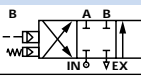
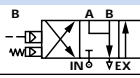
Function	Port size	Flow (Max)	Manifold mounting
4/2 - 4/3	1/4" - 3/8" - 1/2"	3.0 C <sub>v</sub>	sub-base

**OPERATIONAL BENEFITS**

1. Balanced spool, immune to variations of pressure.
2. Short stroke with high flow.
3. The piston (booster) provides maximum shifting forces.
4. Powerful return thanks to the combination of mechanical and air springs.
5. Bonded spool with minimum friction, shifting in a glass-like finished bore.
6. Wiping effect eliminates sticking.
7. Low leakage rate.



**HOW TO ORDER**

Port size	4/2 Single operator	4/2 Double operator	4/3 Closed center	4/3 Open center
				
Valve less base	6312D-000-RA	6322D-000-RA	6332D-000-RA	6342D-000-RA
Sub-base 1/4" NPTF	6312D-431-RA	6322D-441-RA	6332D-441-RA	6342D-441-RA
Sub-base 3/8" NPTF	6312D-531-RA	6322D-541-RA	6332D-541-RA	6342D-541-RA
Sub-base 1/2" NPTF	6312D-631-RA	6322D-641-RA	6332D-641-RA	6342D-641-RA

**OPTIONS**

- 6312D-431-RA
  - For bottom cylinder ports, replace by 4.
  - For dual pressure valves (see section 6 for use with sandwich regulators), replace by 5.

Fastening kit : N-63002-01

**TECHNICAL DATA**

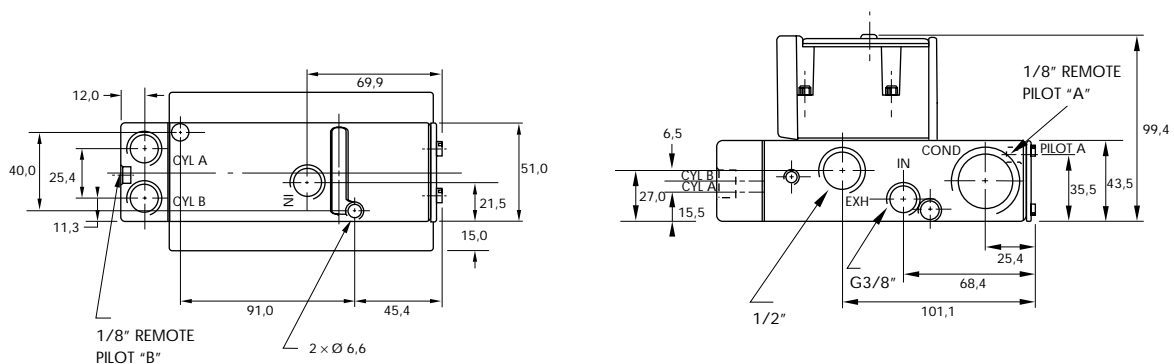
Fluid :	Compressed air, vacuum, inert gases
Pressure range :	Vacuum to 150 PSI
Air signal pressure :	Single operator and 3 positions : 25 to 150 PSI $\geq$ main valve pressure      Double operator : 10 to 150 PSI
Lubrication :	Not required, if used select a medium aniline point lubricant (between 180°F to 210°F)
Filtration :	40 $\mu$
Temperature range :	0°F to 120°F (-18°C to 50°C)
Flow (at 6 bar, $\Delta P=1\text{bar}$ ) :	1/4" : (2.0 C <sub>v</sub> ), 3/8" : (2.6 C <sub>v</sub> ), 1/2" : (3.0 C <sub>v</sub> )
Leak rate :	100 cm <sup>3</sup> /min

Spare parts :      • Remote air operator (A side) : R-63004A. • Remote air operator (B side) : R-63005A. • Seal between valve and base : 16298.  
                                  • Mounting screw valve to base (x4) : 35303. • Tie-rod (x2) : 19624.

Options :              • BSPP threads.

**DIMENSIONS**

Dimensions shown are metric (mm)





# R e m o t e a i r v a l v e s

## Individual mounting



## Manifold mounting



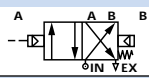
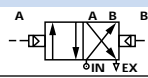
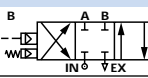
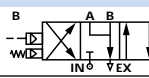
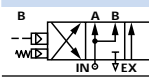
Function	Port size	Flow (Max)	Individual mounting
4/2 - 4/3	3/8" - 1/2" - 3/4"	5.1 C <sub>v</sub>	sub-base

**OPERATIONAL BENEFITS**

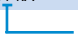
1. Balanced spool, immune to variations of pressure.
2. Short stroke with high flow.
3. The piston (booster) provides maximum shifting forces.
4. Powerful return thanks to the combination of mechanical and air springs.
5. Bonded spool with minimum friction, shifting in a glass-like finished bore.
6. Wiping effect eliminates sticking.
7. Low leakage rate.



**HOW TO ORDER**

Port size	4/2 Single operator	4/2 Double operator	4/3 Closed center	4/3 Open center	4/3 Pressure center
					
Valve less base	6512B-000-RA	6522B-000-RA	6532B-000-RA	6542B-000-RA	6552B-000-RA
Sub-base 3/8" NPTF	6512B-131-RA	6522B-141-RA	6532B-141-RA	6542B-141-RA	6552B-141-RA
Sub-base 1/2" NPTF	6512B-231-RA	6522B-241-RA	6532B-241-RA	6542B-241-RA	6552B-241-RA
Sub-base 3/4" NPTF	6512B-331-RA	6522B-341-RA	6532B-341-RA	6542B-341-RA	6552B-341-RA

**OPTIONS**

6512B-131-RA  
 Dual pressure valves : replace by 4. (excluding 3/4" base)

**TECHNICAL DATA**

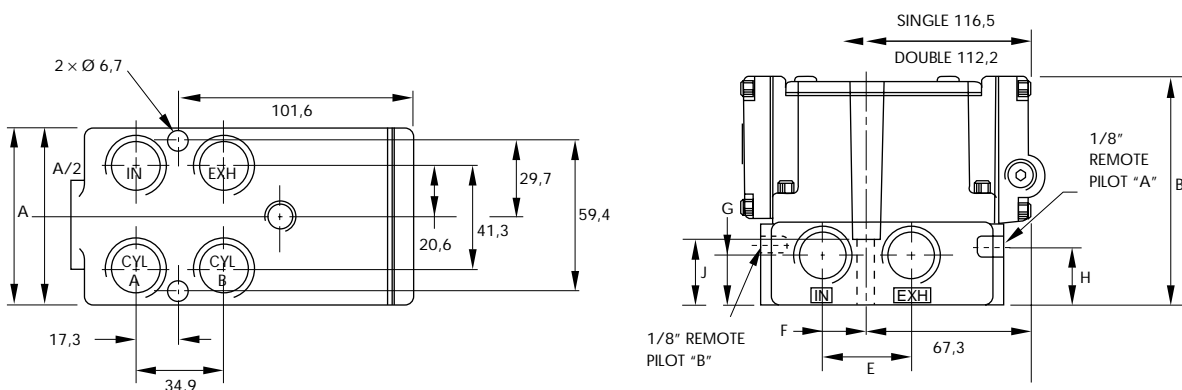
Fluid :	Compressed air, vacuum, inert gases
Pressure range :	Vacuum to 150 PSI
Air signal pressure :	Single operator and 3 positions : 25 to 150 PSI $\geq$ main valve pressure      Double operator : 10 to 150 PSI
Lubrication :	Not required, if used select a medium aniline point lubricant (between 180°F to 210°F)
Filtration :	40 $\mu$
Temperature range :	0°F to 120°F (-18°C to 50°C)
Flow (at 6 bar, $\Delta P=1\text{bar}$ ) :	3/8" : (4.5 C <sub>v</sub> ), 1/2" : (5.0 C <sub>v</sub> ), 3/4" : (5.1 C <sub>v</sub> )
Leak rate :	100 cm <sup>3</sup> /min

Spare parts :      • Remote air operator : R-00008. • Seal between valve and base : 16246. • Mounting screw valve to base (x4) : 32201.

Options :      • BSPP threads.

**DIMENSIONS**

Dimensions shown are metric (mm)



PORT SIZE	A	B	E	F	G	H	J
3/8" & 1/2"	69.6	97.4	36.0	17.9	19.0	23.6	25.4
3/4"	94.5	109.3	40.1	19.2	20.8	35.9	36.6

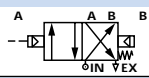
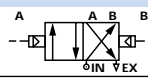
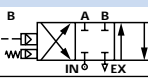
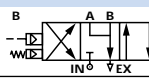
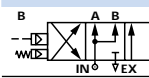
Function	Port size	Flow (Max)	Manifold mounting
4/2 - 4/3	3/8" - 1/2" - 3/4"	5.1 C <sub>v</sub>	sub-base

**OPERATIONAL BENEFITS**

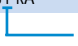
- Balanced spool, immune to variations of pressure.
- Short stroke with high flow.
- The piston (booster) provides maximum shifting forces.
- Powerful return thanks to the combination of mechanical and air springs.
- Bonded spool with minimum friction, shifting in a glass-like finished bore.
- Wiping effect eliminates sticking.
- Low leakage rate.



**HOW TO ORDER**

Port size	4/2 Single operator	4/2 Double operator	4/3 Closed center	4/3 Open center	4/3 Pressure center
					
Valve less base	6512B-000-RA	6522B-000-RA	6532B-000-RA	6542B-000-RA	6552B-000-RA
Sub-base 3/8" NPTF	6512B-431-RA	6522B-441-RA	6532B-441-RA	6542B-441-RA	6552B-441-RA
Sub-base 1/2" NPTF	6512B-531-RA	6522B-541-RA	6532B-541-RA	6542B-541-RA	6552B-541-RA
Sub-base 3/4" NPTF	6512B-631-RA	6522B-641-RA	6532B-641-RA	6542B-641-RA	6552B-641-RA

**OPTIONS**

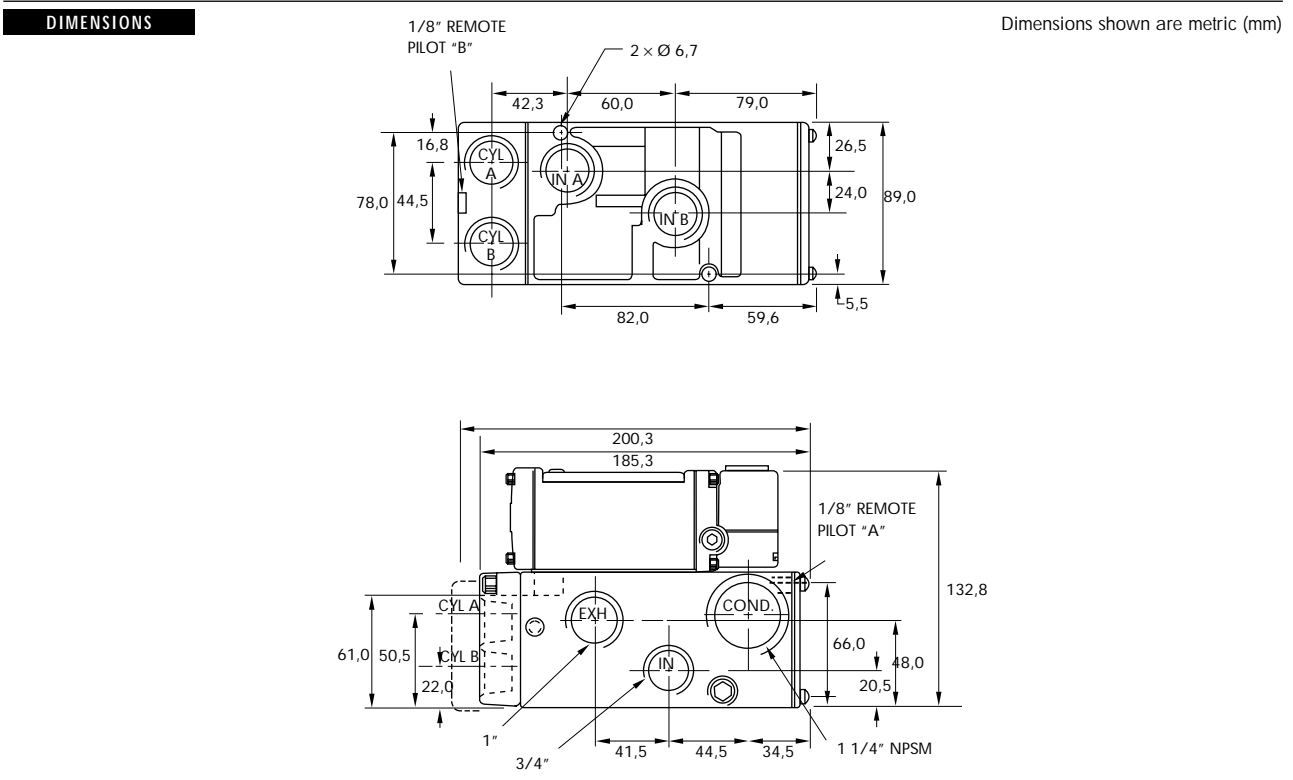
6512B-431-RA  
 For dual pressure valves, replace by 4.

Fastening kit : N-65002-01.

TECHNICAL DATA	
Fluid :	Compressed air, vacuum, inert gases
Pressure range :	Vacuum to 150 PSI
Air signal pressure :	Single operator and 3 positions : 25 to 150 PSI $\geq$ main valve pressure      Double operator : 10 to 150 PSI
Lubrication :	Not required, if used select a medium aniline point lubricant (between 180°F to 210°F)
Filtration :	40 $\mu$
Temperature range :	0°F to 120°F (-18°C to 50°C)
Flow (at 6 bar, $\Delta P=1\text{bar}$ ) :	3/8" : (4.5 C <sub>v</sub> ), 1/2" : (5.0 C <sub>v</sub> ), 3/4" : (5.1 C <sub>v</sub> )
Leak rate :	100 cm <sup>3</sup> /min

Spare parts :      • Remote air operator : R-00008. • Seal between valve and base : 16246.  
                              • Mounting screw valve to base (x4) : 32201. • Tie-rod (x2) : 19540.

Options :            • BSPP threads.





# R e m o t e a i r v a l v e s

## Individual mounting



## Manifold mounting





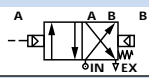
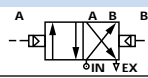
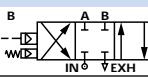
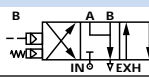
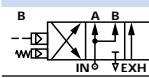
Function	Port size	Flow (Max)	Individual mounting
4/2 - 4/3	3/4" - 1"	9.6 C <sub>v</sub>	sub-base

**OPERATIONAL BENEFITS**

1. Balanced spool, immune to variations of pressure.
2. Short stroke with high flow.
3. The piston (booster) provides maximum shifting forces.
4. Powerful return thanks to the combination of mechanical and air springs.
5. Bonded spool with minimum friction, shifting in a glass-like finished bore.
6. Wiping effect eliminates sticking.
7. Low leakage rate.



**HOW TO ORDER**

Port size	4/2 Single operator	4/2 Double operator	4/3 Closed center	4/3 Open center	4/3 Pressure center
					
Valve less base	6612A-000-RA	6622A-000-RA	6632A-000-RA	6642A-000-RA	6652A-000-RA
Sub-base 3/4" NPTF	6612A-231-RA	6622A-241-RA	6632A-241-RA	6642A-241-RA	6652A-241-RA
Sub-base 1" NPTF	6612A-331-RA	6622A-341-RA	6632A-341-RA	6642A-341-RA	6652A-341-RA

**OPTIONS**

6612A-231-RA

— Dual pressure valves : replace by 4.

**TECHNICAL DATA**

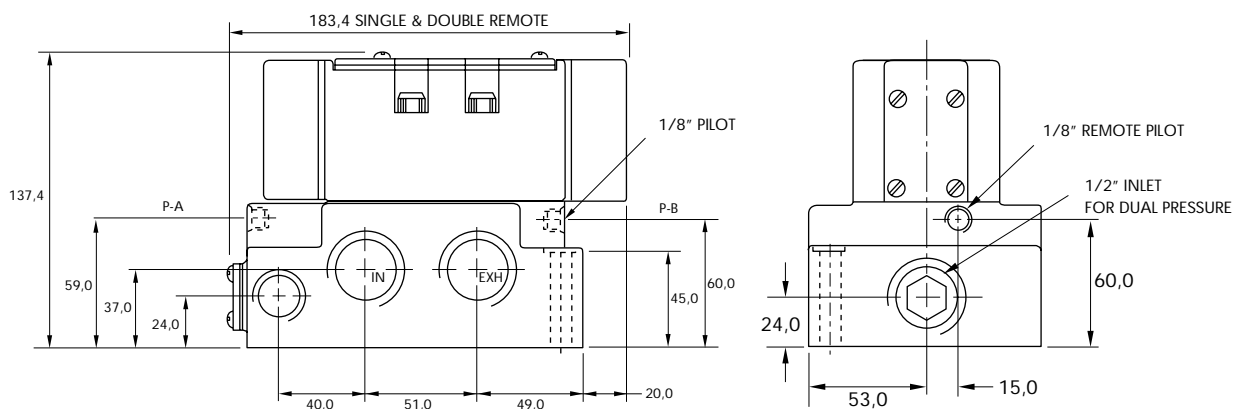
Fluid :	Compressed air, vacuum, inert gases
Pressure range :	Vacuum to 150 PSI
Air signal pressure :	Single operator and 3 positions : 25 to 150 PSI $\geq$ main valve pressure      Double operator : 10 to 150 PSI
Lubrication :	Not required, if used select a medium aniline point lubricant (between 180°F to 210°F)
Filtration :	40 $\mu$
Temperature range :	0°F to 120°F (-18°C to 50°C)
Flow (at 6 bar, $\Delta P=1\text{bar}$ ) :	3/4" : (9.0 C <sub>v</sub> ), 1" : (9.6 C <sub>v</sub> )
Leak rate :	100 cm <sup>3</sup> /min

Spare parts :      • Remote air operator : R-A3004. • Pressure seal between valve and base : 16436. • Mounting screw valve to base (x4) : 35416.

Options :      • BSPP threads.

**DIMENSIONS**

Dimensions shown are metric (mm)



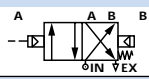
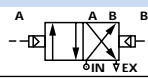
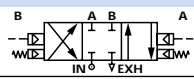
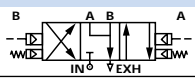
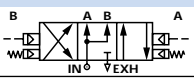
Function	Port size	Flow (Max)	Manifold mounting
4/2 - 4/3	3/4" - 1"	9.6 C <sub>v</sub>	sub-base

**OPERATIONAL BENEFITS**

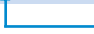
1. Balanced spool, immune to variations of pressure.
2. Short stroke with high flow.
3. The piston (booster) provides maximum shifting forces.
4. Powerful return thanks to the combination of mechanical and air springs.
5. Bonded spool with minimum friction, shifting in a glass-like finished bore.
6. Wiping effect eliminates sticking.
7. Low leakage rate.



**HOW TO ORDER**

Port size	4/2 Single operator	4/2 Double operator	4/3 Closed center	4/3 Open center	4/3 Pressure center
					
Valve less base	6612A-000-PM-RA11	6622A-000-PM-RA11	6632A-000-PM-RA11	6642A-000-PM-RA11	6652A-000-PM-RA11
Sub-base 3/4" NPTF	6612A-431-PM-RA11	6622A-441-PM-RA11	6632A-441-PM-RA11	6642A-441-PM-RA11	6652A-441-PM-RA11
Sub-base 1" NPTF	6612A-531-PM-RA11	6622A-541-PM-RA11	6632A-541-PM-RA11	6642A-541-PM-RA11	6652A-541-PM-RA11

**OPTIONS**

6612A-XXX-PM-RA11  
 For dual pressure valves, replace by 4.

Fastening kit : N-66002-01.

**TECHNICAL DATA**

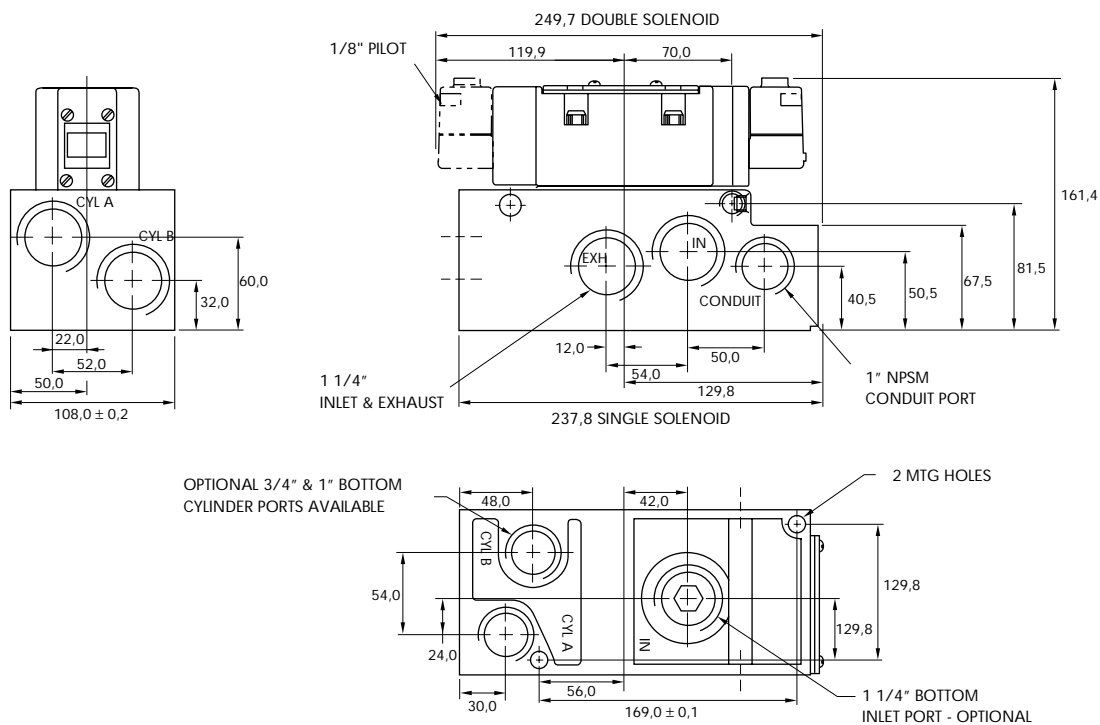
Fluid :	Compressed air, vacuum, inert gases
Pressure range :	Vacuum to 150 PSI
Air signal pressure :	Single operator and 3 positions : 25 to 150 PSI $\geq$ main valve pressure      Double operator : 10 to 150 PSI
Lubrication :	Not required, if used select a medium aniline point lubricant (between 180°F to 210°F)
Filtration :	40 $\mu$
Temperature range :	0°F to 120°F (-18°C to 50°C)
Flow (at 6 bar, $\Delta P=1\text{bar}$ ) :	3/4" : (9.0 C <sub>v</sub> ), 1" : (9.6 C <sub>v</sub> )
Leak rate :	100 cm <sup>3</sup> /min

Spare parts :      • Remote air operator : R-A3004. • Pressure seal between valve and base : 16436. • Mounting screw valve to base (x4) : 35416.  
                              • Tie-rod (x2) : 19789. • Remote air pilot : PME-RA11.

Options :            • BSPP threads.

**DIMENSIONS**

Dimensions shown are metric (mm)





# R e m o t e a i r v a l v e s

## Individual mounting

sub-base	
----------	--

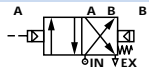
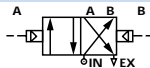
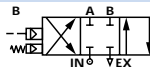
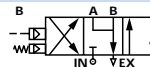
Function	Port size	Flow (Max)	Individual mounting
4/2 - 4/3	3/4" - 1" - 1 1/4" - 1 1/2"	15.9 C <sub>v</sub>	sub-base

**OPERATIONAL BENEFITS**

1. Balanced spool, immune to variations of pressure.
2. Short stroke with high flow.
3. The piston (booster) provides maximum shifting forces.
4. Powerful return thanks to the combination of mechanical and air springs.
5. Bonded spool with minimum friction, shifting in a glass-like finished bore.
6. Wiping effect eliminates sticking.
7. Low leakage rate.



**HOW TO ORDER**

Port size	Pilot air	4/2 Single operator	4/2 Double operator	4/3 Closed center	4/3 Open center
					
Valve less base		2701G-1	2703G-2	2707G-2	2708G-2
Sub-base 3/4" NPTF		2721G-1	2723G-2	2727G-2	2728G-2
Sub-base 1" NPTF	Internal	2731G-1	2733G-2	2737G-2	2738G-2
Sub-base 1 1/4" NPTF		2751G-1	2753G-2	2757G-2	2758G-2
Sub-base 1 1/2" NPTF		2761G-1	2763G-2	2767G-2	2768G-2
Valve less base		2701G-2	2703G-2	2707G-2	2708G-2
Sub-base 3/4" NPTF		2721G-2	2723G-2	2727G-2	2728G-2
Sub-base 1" NPTF	External	2731G-2	2733G-2	2737G-2	2738G-2
Sub-base 1 1/4" NPTF		2751G-2	2753G-2	2757G-2	2758G-2
Sub-base 1 1/2" NPTF		2761G-2	2763G-2	2767G-2	2768G-2

**TECHNICAL DATA**

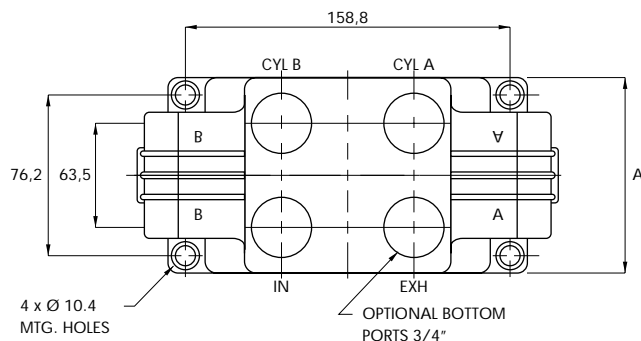
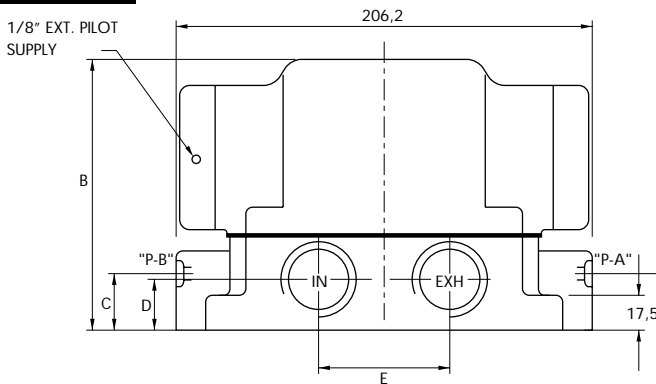
Fluid :	Compressed air, vacuum, inert gases
Pressure range :	Vacuum to 150 PSI
Air signal pressure :	Single operator and 3 positions : 25 to 150 PSI $\geq$ main valve pressure      Double operator : 10 to 150 PSI
Lubrication :	Not required, if used select a medium aniline point lubricant (between 180°F to 210°F)
Filtration :	40 $\mu$
Temperature range :	0°F to 120°F (-18°C to 50°C)
Flow (at 6 bar, $\Delta P=1\text{bar}$ ) :	3/4" : (11.5 C <sub>v</sub> ), 1" : (13.4 C <sub>v</sub> ), 1 1/4" : (15.4 C <sub>v</sub> ), 1 1/2" : (15.9 C <sub>v</sub> )
Leak rate :	100 cm <sup>3</sup> /min

Spare parts :      • Remote air end plate : R-00016B. • Pressure seal between valve and base : 16083. • Mounting screw valve to base (x4) : 32214.

Options :      • BSPP threads.

**DIMENSIONS**

Dimensions shown are metric (mm)



PORT SIZE	A	B	C	D	E
3/4" NPTF	95.3	132.3	28.4	25.4	63.5
1" NPTF					
1 1/4" NPTF	114.3	148.3	23.9	30.2	76.2
1 1/2" NPTF					69.9



# R e m o t e a i r v a l v e s

## Individual mounting

Inline	
--------	--



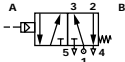
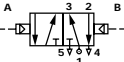
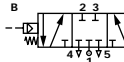
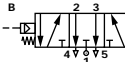
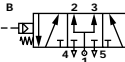
Function	Port size	Flow (Max)	Individual mounting
5/2 - 5/3	1/4"	1.4 C <sub>v</sub>	Inline

**OPERATIONAL BENEFITS**

1. Balanced spool, immune to variations of pressure.
2. Short stroke with high flow.
3. The piston (booster) provides maximum shifting forces.
4. Powerful return thanks to the combination of mechanical and air springs.
5. Bonded spool with minimum friction, shifting in a glass-like finished bore.
6. Wiping effect eliminates sticking.
7. Low leakage rate.



**HOW TO ORDER**

Port size	5/2 Single operator	5/2 Double operator	5/3 Closed center	5/3 Open center	5/3 Pressure center
					
1/4" NPTF	180001-112-0003	180003-112-0003	180304-512-0304	180304-612-0304	180304-812-0304

Air pilot port : 1/8" NPTF.

Options : Side pilot port : replace code 0003 by 0010 (2 positions valves only).

**TECHNICAL DATA**

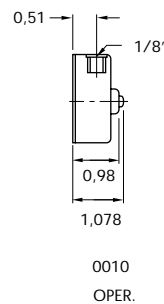
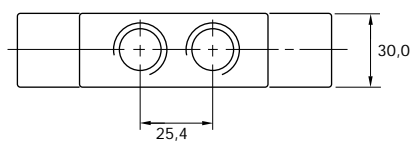
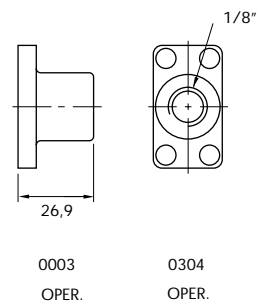
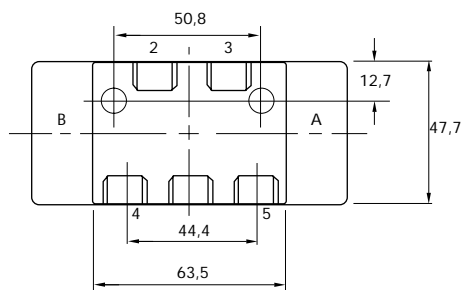
Fluid :	Compressed air, vacuum, inert gases
Pressure range :	Vacuum to 200 PSI
Air signal pressure :	Single operator and 3 positions : 20 to 150 PSI      Double operator : 10 to 150 PSI
Lubrication :	Not required, if used select a medium aniline point lubricant (between 180°F to 210°F)
Filtration :	40 μ
Temperature range :	0°F to 120°F (-18°C to 50°C)
Flow (at 6 bar, ΔP=1bar) :	1/4" - 3/8" : (1.4 C <sub>v</sub> )
Leak rate :	50 cm <sup>3</sup> /min

Spare parts :      • Remote air operator (2 positions) : 180003. • Remote air operator (3 positions) : 180304.

Options :            • BSPP threads. • 3/8" ports (ports 1, 2 & 3 - MOD. 0358 required).

**DIMENSIONS**

Dimensions shown are metric (mm)





# R e m o t e a i r v a l v e s

## Individual mounting

valve only	
------------	--

## Manifold mounting

sub-base	
----------	--

Function	Port size	Flow (Max)	Individual mounting & Manifold mounting
5/2 - 5/3	1/4" - 3/8"	1.6 C <sub>v</sub>	valve only

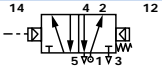
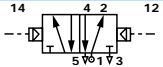
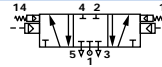
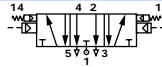
**OPERATIONAL BENEFITS**

1. Balanced spool, immune to variations of pressure.
2. Short stroke with high flow.
3. The piston (booster) provides maximum shifting forces.
4. Powerful return thanks to the combination of mechanical and air springs.
5. Bonded spool with minimum friction, shifting in a glass-like finished bore.
6. Wiping effect eliminates sticking.
7. Low leakage rate.

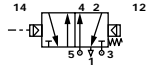
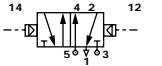
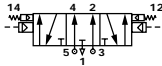


**HOW TO ORDER**

**SINGLE PRESSURE VALVES**

Air spring	5/2 Single operator	5/2 Double operator	5/3 Closed center	5/3 Open center
				
Internal	MV-A1C-B111	----	----	----
External	MV-A1C-B121	MV-A1C-B221	MV-A1C-B322	MV-A1C-B321

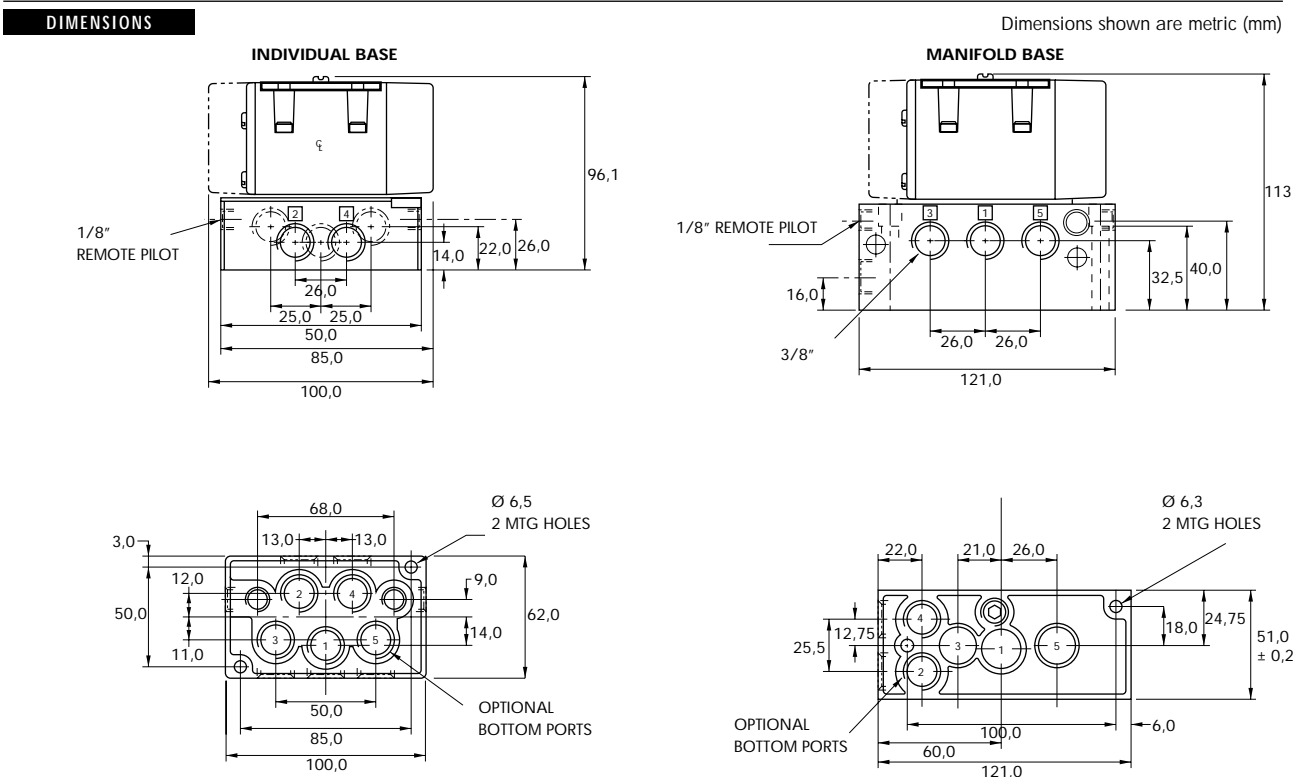
**DUAL PRESSURE VALVES**

Air spring	5/2 Single operator	5/2 Double operator	5/3 Pressure center
			
Internal port 3	MV-A1C-B131	----	----
Internal port 5	MV-A1C-B135	----	----
External	MV-A1C-B141	MV-A1C-B241	MV-A1C-B341

Note : ISO valves are delivered w/o base. See section 4 for base code

TECHNICAL DATA	
Fluid :	Compressed air, vacuum, inert gases
Pressure range :	Vacuum to 150 PSI
Air signal pressure :	Single operator and 3 positions : 20 to 150 PSI $\geq$ main valve pressure      Double operator : 10 to 150 PSI
Lubrication :	Not required, if used select a medium aniline point lubricant (between 180°F to 210°F)
Filtration :	40 $\mu$
Temperature range :	0°F to 120°F (-18°C to 50°C)
Flow (at 6 bar, $\Delta P=1\text{bar}$ ) :	1/4" - 3/8" : (1.6 C <sub>v</sub> )
Leak rate :	100 cm <sup>3</sup> /min

- Spare parts :
- Remote air operator 2 positions : R-A1010. • Remote air operator 3 positions : R-A1005B.
  - Pressure seal between valve and base : 16344. • Mounting screw body to base (x4) : 35304.





# R e m o t e a i r v a l v e s

## Individual mounting

valve only	
------------	--

## Manifold mounting

sub-base	
----------	--

Function	Port size	Flow (Max)	Individual mounting & Manifold mounting
5/2 - 5/3	3/8" - 1/2"	3.0 C <sub>v</sub>	valve only

**OPERATIONAL BENEFITS**

1. Balanced spool, immune to variations of pressure.
2. Short stroke with high flow.
3. The piston (booster) provides maximum shifting forces.
4. Powerful return thanks to the combination of mechanical and air springs.
5. Bonded spool with minimum friction, shifting in a glass-like finished bore.
6. Wiping effect eliminates sticking.
7. Low leakage rate.



**HOW TO ORDER**

**SINGLE PRESSURE VALVES**

Air spring	5/2 Single operator	5/2 Double operator	5/3 Closed center	5/3 Open center
Internal	MV-A2B-B111	-----	-----	-----
External	MV-A2B-B121	MV-A2B-B221	MV-A2B-B322	MV-A2B-B321

**DUAL PRESSURE VALVES**

Air spring	5/2 Single operator	5/2 Double operator	5/3 Pressure center
Internal port 3	MV-A2B-B131	-----	-----
Internal port 5	MV-A2B-B135	-----	-----
External	MV-A2B-B141	MV-A2B-B241	MV-A2B-B341

Note : ISO valves are delivered w/o base. See section 4 for base code.

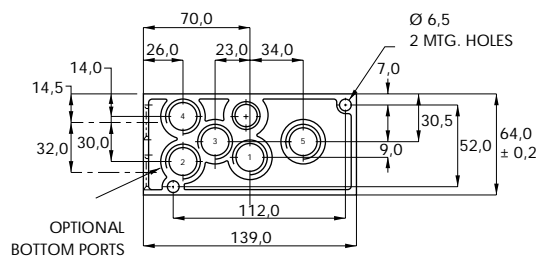
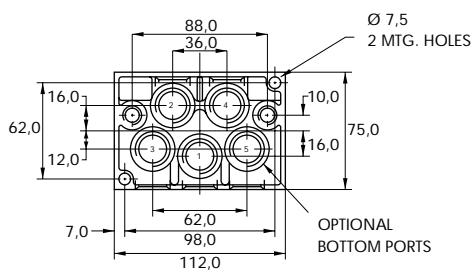
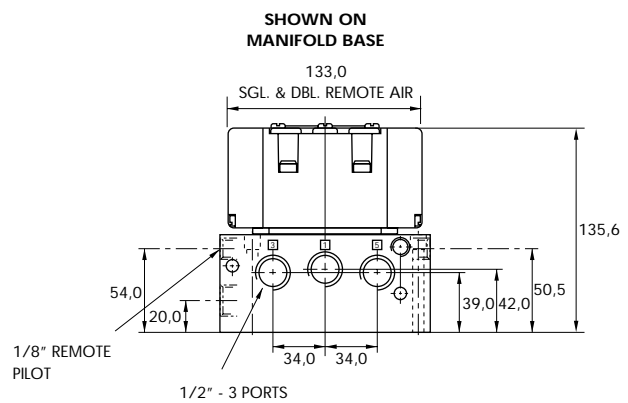
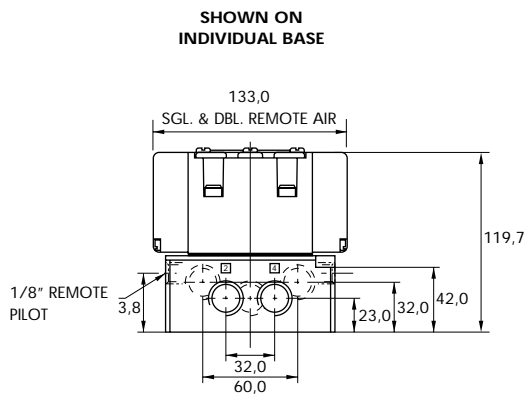
**TECHNICAL DATA**

Fluid :	Compressed air, vacuum, inert gases
Pressure range :	Vacuum to 150 PSI
Air signal pressure :	Single operator and 3 positions : 25 to 150 PSI $\geq$ main valve pressure      Double operator : 10 to 150 PSI
Lubrication :	Not required, if used select a medium aniline point lubricant (between 180°F to 210°F)
Filtration :	40 $\mu$
Temperature range :	0°F to 120°F (-18°C to 50°C)
Flow (at 6 bar, $\Delta P=1\text{bar}$ ) :	3/8" - 1/2" : (3.0 C <sub>v</sub> )
Leak rate :	100 cm <sup>3</sup> /min

Spare parts :      • Remote air operator : R-A3004. • Pressure seal between valve and base : 16351. • Mounting screw body to base (x4) : 35412.

**DIMENSIONS**

Dimensions shown are metric (mm)







# R e m o t e   a i r   v a l v e s

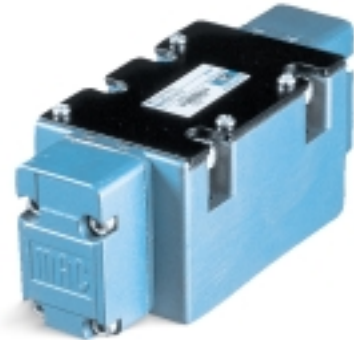
## Individual mounting

valve only	
------------	--

Function	Port size	Flow (Max)	Individual mounting
5/2 - 5/3	1/2" - 3/4"	6.3 C <sub>v</sub>	valve only

**OPERATIONAL BENEFITS**

1. Balanced spool, immune to variations of pressure.
2. Short stroke with high flow.
3. The piston (booster) provides maximum shifting forces.
4. Powerful return thanks to the combination of mechanical and air springs.
5. Bonded spool with minimum friction, shifting in a glass-like finished bore.
6. Wiping effect eliminates sticking.
7. Low leakage rate.



**HOW TO ORDER**

**SINGLE PRESSURE VALVES**

Air spring	5/2 Single operator	5/2 Double operator	5/3 Closed center	5/3 Open center
Internal	MV-A3B-B111	-----	-----	-----
External	MV-A3B-B121	MV-A3B-B221	MV-A3B-B322	MV-A3B-B321

**DUAL PRESSURE VALVES**

Air spring	5/2 Single operator	5/2 Double operator	5/3 Pressure center
Internal port 3	MV-A3B-B131	-----	-----
Internal port 5	MV-A3B-B135	-----	-----
External	MV-A3B-B141	MV-A3B-B241	MV-A3B-B341

Note : ISO valves are delivered w/o base. See section 4 for base code.

**TECHNICAL DATA**

Fluid :	Compressed air, vacuum, inert gases
Pressure range :	Vacuum to 150 PSI
Air signal pressure :	Single operator and 3 positions : 25 to 150 PSI $\geq$ main valve pressure      Double operator : 10 to 150 PSI
Lubrication :	Not required, if used select a medium aniline point lubricant (between 180°F to 210°F)
Filtration :	40 $\mu$
Temperature range :	0°F to 120°F (-18°C to 50°C)
Flow (at 6 bar, $\Delta P=1\text{bar}$ ) :	1/2" - 3/4" : (6.3 C <sub>v</sub> )
Leak rate :	100 cm <sup>3</sup> /min

Spare parts :      • Remote air operator : R-A3004. • Pressure seal between valve and base : 16436. • Mounting screw body to base (x4) : 35416.

**DIMENSIONS**

Dimensions shown are metric (mm)

