

Model 202 Visual Flow Indicator

Visit us on the internet:
www.mpcdayton.com



Size: 3/4" NPT



Size: 1/4" NPT

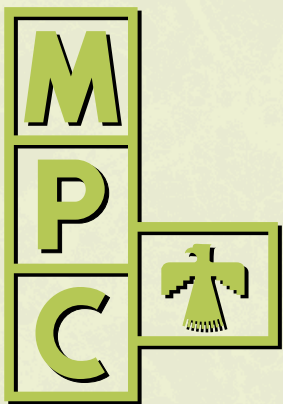
The MPC Model 202 Flow Indicator is a high quality, inexpensive device that permits visual detection of liquid flowing through a line. The agitation and movement of the multicolored balls contained within a clear Lexan® dome enables 180° visibility for flow indication. The high strength forged brass body assures long service life, chemical compatibility, and rigidity. It is self cleaning and adaptable to panel mounting.

Key Features

- Low cost
- Five sizes: 1/4" to 1" NPT
- Solid brass body
- Lexan® liner and dome
- Chemically resistant seal
- Self-cleaning ball action
- Compact size
- Easy installation
- Quick delivery

Typical Applications

- Welding machines
- Die cast machines
- Tool machines
- Injection molding machines
- Extrusion machines
- Paint and varnish lines
- Oil drilling equipment
- Plating equipment
- Paper industry process lines



Machine Products Corporation

5660 Webster Street
Dayton, OH 45414-3596
Telephone 937-890-6600
Fax 937-890-1916
E-mail: sales@mpcdayton.com



A mounting groove permits face panel manifold mounting, enabling the grouping of indicators that is cost effective and functional.

Model 202 Visual Flow Indicator



Machine Products Corporation

5660 Webster Street
Dayton, OH 45414-3596
Telephone 937-890-6600
Fax 937-890-1916

E-mail: sales@mpcdayton.com

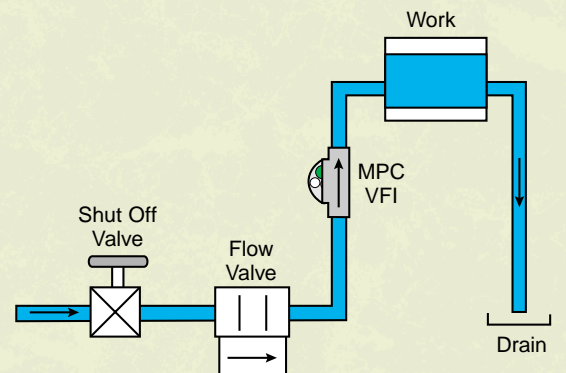
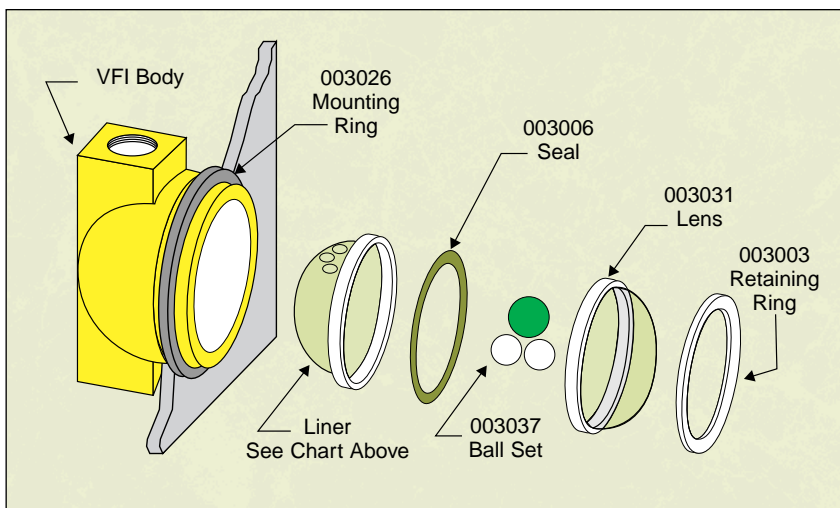
Available Sizes

Size	Catalog Number	Optimal Operating range	Liner Number
1/4" NPT	003048	0.4 - 4 GPM	003007
3/8" NPT	003049	1.5 - 11 GPM	003007
1/2" NPT	003050	2.5 - 18 GPM	003007
3/4" NPT	003051	3.0 - 40 GPM	003008
1" NPT	003054	5.0 - 45 GPM	003008

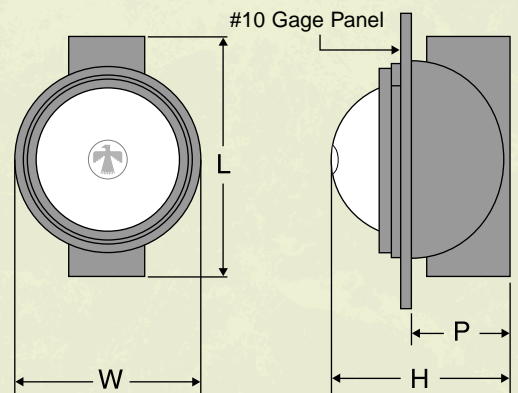
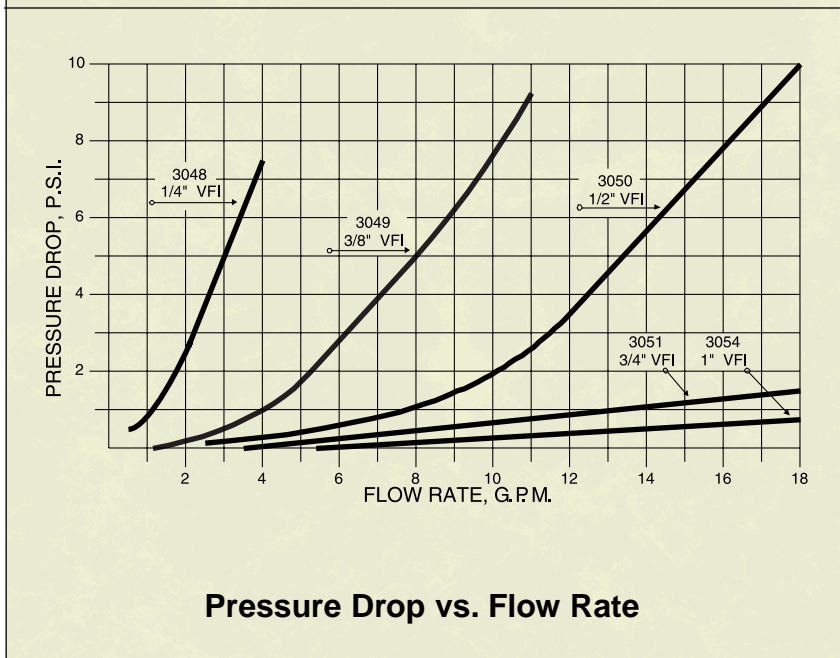
New!
LOW FLOW VFI



Size: 1/4" NPT
Catalog No. 003046 .
Flow Range: 0.2 – 2 GPM
Liner Number: 003007



Typical In-Line Installation



VFI	W	L	H	P
003048	2 3/8"	3 1/8"	2 3/16"	1 3/8"
003049	2 3/8"	3 1/8"	2 3/16"	1 3/8"
003050	2 3/8"	3 1/8"	2 3/16"	1 3/8"
003051	2 3/8"	3 1/8"	2 3/16"	1 3/8"
003054	2 3/8"	3 1/8"	2 5/8"	1 7/8"